

# CITY OF LINDSAY

County of Tulare

State of California

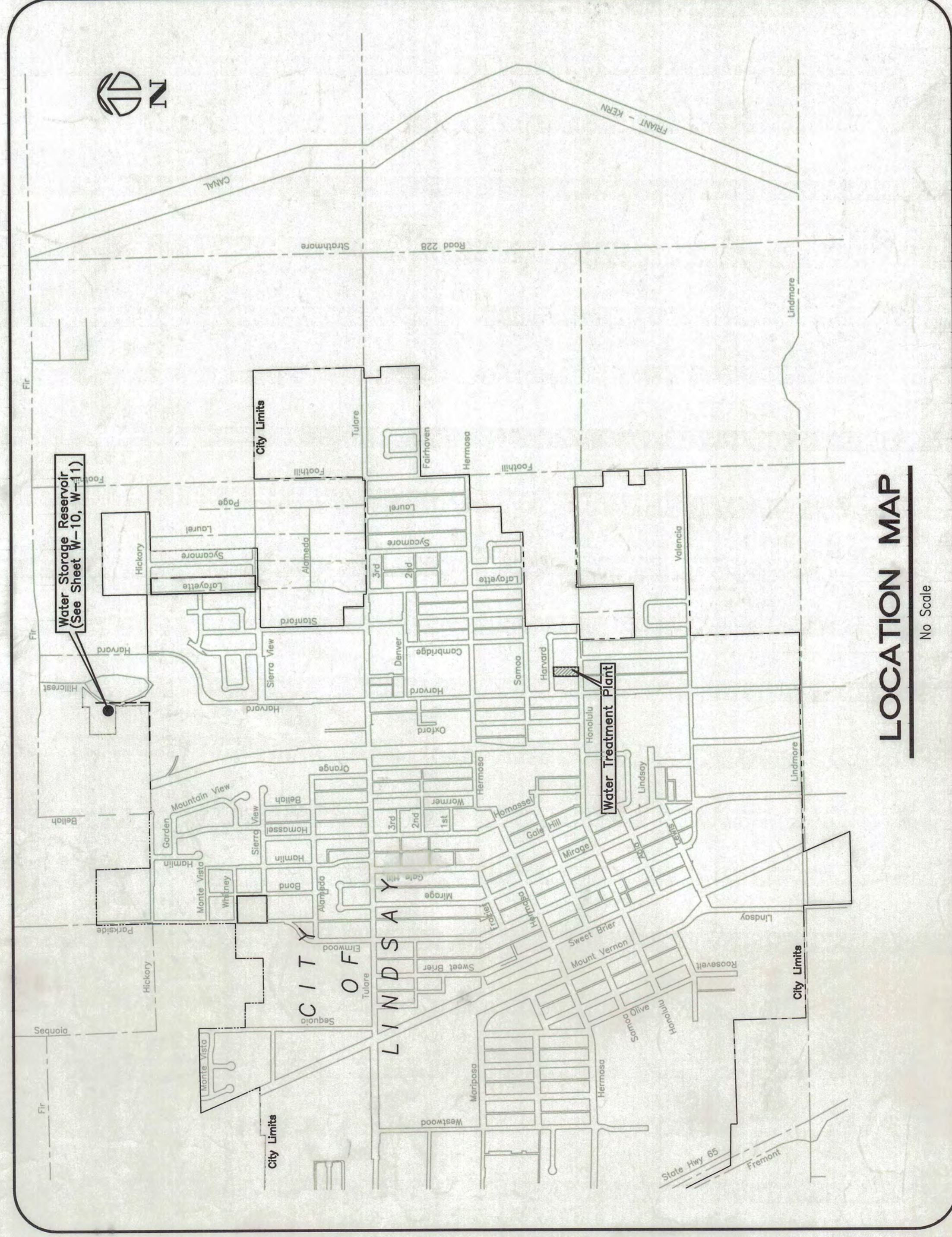
## WATER FACILITIES IMPROVEMENT PROJECT - 1999 CONTRACT A - RESERVOIR AND WATER TREATMENT PLANT

Funded By:  
RURAL UTILITIES SERVICE  
U. S. DEPARTMENT OF AGRICULTURE



VICINITY MAP

No Scale



LOCATION MAP

No Scale

### SHEET INDEX

G-1	COVER SHEET
G-2	GENERAL NOTES / LEGEND
W-1	WATER TREATMENT PLANT PIPING SCHEMATIC
W-2	WATER TREATMENT PLANT EQUIPMENT SCHEDULE
W-3	WATER TREATMENT PLANT DEMOLITION PLAN
W-4	WATER TREATMENT PLANT SITE PLAN
W-5	WATER TREATMENT PLANT GRADING PLAN
W-6	WATER TREATMENT PLANT PROPOSED FACILITIES SECTIONS
W-7	WATER TREATMENT PLANT PROPOSED FACILITIES SECTIONS
W-8	WATER TREATMENT PLANT CONTROL BUILDING PLAN
W-9	WATER TREATMENT PLANT EXISTING CHEMICAL BUILDING
W-10	WATER TREATMENT PLANT DETAILS
W-11	WATER TANK DETAILS
W-12	WATER TANK GRADING AND DRAINAGE PLAN
W-13	WATER MAIN REPLACEMENT - Construction Details
E-1	ELECTRICAL DEMOLITION PLAN
E-2	ELECTRICAL SITE PLAN
E-3	ELECTRICAL DETAILS
E-4	ELECTRICAL CONTROL DIAGRAMS
E-5	ELECTRICAL CONTROL DIAGRAMS
C-5	RESERVOIR WATER MAIN (REFERENCE)

**RECORD DRAWING**  
This record drawing has been prepared, in part, based upon information furnished by others. While this information is believed to be reliable, the Designer assumes no responsibility for its accuracy, completeness, or omission. The user of this record drawing or for any errors or omissions which may have been incorporated into it as a result of these drawings. These drawings are intended to be used for the purpose of verification of its accuracy before applying it for any purpose.

Approved By: \_\_\_\_\_ Date: \_\_\_\_\_  
WILLIAM R. BRENNEN, City Manager/City Engineer  
TOM MCCURTNEY, Public Works Director

REVISIONS	DATE	BY	DESCRIPTION

APPROVED BY: \_\_\_\_\_  
DATE: \_\_\_\_\_  
SEE ORIGINAL FOR SIGNATURE AND SEAL

PREPARED BY: \_\_\_\_\_  
DATE: \_\_\_\_\_

**Quad Knopf**  
5500 KING AVENUE  
BAYVIEW, CA 93004  
TEL: (951) 855-8300  
FAX: (951) 855-8311

IMPROVEMENT PLAN FOR:  
**CITY OF LINDSAY WATER FACILITIES  
IMPROVEMENT PROJECT-1999  
CONTRACT A - RESERVOIR AND  
WATER TREATMENT PLANT**

DATE: SEPT. 2000  
JOB NO.: 98197 CONTRACT A  
DWG. NO.: 108197CWA.DWG  
SCALE: NOT TO SCALE  
SHEET NO.: G-1

## GENERAL NOTES

- ALL IMPROVEMENTS SHALL BE AS PER CITY OF LINDSAY STANDARDS.
- CONTRACTOR SHALL NOTIFY THE ENGINEER OF ANY AND ALL CONFLICTS BETWEEN CONTRACT DRAWINGS AND THE ACTUAL SITE CONDITIONS PRIOR TO COMMENCING ANY WORK IN QUESTION.
- CONTRACTOR SHALL PROVIDE PEDESTRIAN, VEHICLE, WORKER AND TREE PROTECTION AS NECESSARY FOR THE FULL DURATION OF THE PROJECT.
- CONTRACTOR SHALL SUBMIT TRAFFIC CONTROL PLANS FOR APPROVAL BY THE CITY AND SHALL INSTALL APPROVED TRAFFIC CONTROL SIGNS PRIOR TO COMMENCEMENT OF ANY WORK, IN CONFORMANCE WITH CALIFORNIA MANUAL OF TRAFFIC CONTROL.
- CONTRACTOR SHALL MAINTAIN DUST CONTROL ABOUT THE SITE OF WORK AS SPECIFIED BY CALIFORNIA STANDARD SPECIFICATIONS.
- CONTRACTOR SHALL BE LICENSED AS CLASS "A" GENERAL ENGINEERING CONTRACTOR (OR A LICENSED PROFESSIONAL ENGINEER) AND SHALL BE LICENSED IN THE STATE OF CALIFORNIA IN ACCORDANCE WITH THE PROVISIONS OF CHAPTER 8, DIVISION 3 OF THE BUSINESS AND PROFESSIONS CODE.
- CONTRACTOR SHALL PERFORM ALL WORK NECESSARY TO COMPLETE THE CONTRACT IN SATISFACTORY MANNER PROVIDING ALL MATERIALS, LABOR, EQUIPMENT AND INCIDENTALS NECESSARY TO COMPLETE THE WORK UNLESS SPECIFIED OTHERWISE.
- CONTRACTOR SHALL NOTIFY THE APPROPRIATE AGENCY AT LEAST 8 DAYS PRIOR TO COMMENCING WORK SIGNING AND SETTING ANY PRESERVE MONUMENTS AND BENCH MARKS, WHICH MAY NOT BE DISTURBED WITHOUT THE CONSENT OF THE CONTRACTOR. THE CONTRACTOR SHALL BE RESPONSIBLE FOR REPLACING DESTROYED BENCH MARKS.
- CONTRACTOR SHALL OBTAIN, OBTAIN AND HOLD HARMLESS THE CITY, ITS ENGINEER AND CONSULTANTS, THEIR OFFICES, EMPLOYEES AND AGENTS, FROM ANY AND ALL LIABILITY CLAIMS, LOSSES OR DAMAGES ARISING OR ALLEGED FROM THE PERFORMANCE OF THE WORK DESCRIBED ON THESE PLANS, NOT INCLUDING NEGLIGENCE ON THE PART OF THE CITY.
- THE CONTRACTOR SHALL EXPOSE EXISTING WATER MAINS AND CONFIRM TYPE OF PIPE AND OUTSIDE DIAMETER. THE CONTRACTOR SHALL BE RESPONSIBLE FOR OBTAINING ALL NECESSARY PERMITS AND CONNECTIONS TO EXISTING WATER MAINS. ALL CONNECTIONS SHALL BE ACCOMPANIED WITH POLYETHYLENE FLANGE ADAPTERS OR "SUB END" (ONE END WHICH IS SIZED THE SAME AS THE POLYETHYLENE PIPE FOR BUTT FUSION TO THE POLYETHYLENE PIPE THE OTHER END WHICH HAS BEEN MADE WITH A FLANGE SEGMENT OF A PIPE), CONNECTIONS TO PLANE AND ASBESTOS-CONCRETE PIPE SHALL BE MADE WITH A 3/4" JIG FABRICATED FLANGED COUPLING ADAPTER OR EQUAL (FULLY PRESSURE RATED). CONNECTIONS TO OTHER TYPES OF PIPE SHALL BE MADE WITH A STANDARD FLANGED COUPLING ADAPTER SIZED TO MATCH OUTSIDE DIAMETER OF THE EXISTING PIPE.
- LOCATION AND RELOCATION OF UTILITY POLES SHALL BE THE RESPONSIBILITY OF THE UTILITY COMPANY.
- THE LOCATION OF EXISTING UNDERGROUND UTILITIES AS SHOWN ON THESE PLANS ARE BASED ON THE BEST INFORMATION AVAILABLE; HOWEVER, THE CITY OF LINDSAY AND THE ENGINEER ASSUME NO LIABILITY FOR THE LOCATION OF EXISTING UTILITIES. THE CONTRACTOR SHALL COOPERATE WITH ALL UTILITY COMPANIES AND OTHER CONTRACTORS WORKING WITHIN THE LIMITS OF THIS PROJECT.
- IN PAVED STREETS ALL EXISTING PAVEMENT STRIPING, MARKERS, LETTERING AND DELINEATOR SIGNS REMOVED OR DAMAGED DURING CONSTRUCTION OF THIS PROJECT SHALL BE REPLACED BY THE CONTRACTOR.
- ALL VALVES AND FITTINGS SHALL BE FULL LINE SIZE. VALVES SHALL BE FLANGED TO FITTINGS UNLESS OTHERWISE SHOWN.

## LEGEND

CBX	CRIBBY BOX	SMH	STORM DRAIN MANHOLE
DI	DRAIN INLET	SS	SANITARY SEWER
FH	FIRE HYDRANT	SSMH	SANITARY SEWER MANHOLE
TC	TOP OF CURB	SSCO	SANITARY SEWER CLEANOUT
FL	FLOW LINE	TELFD	TELEPHONE FEDESTAL
GUY	GUY	WV	WATER VALVE
GV	GAS VALVE	P	PAVEMENT
MB	MAN BOX	(000.00)	EXISTING ELEVATION
OH GTE	GTE AERIAL TEL. CABLE	HP	HINGE POINT
BURIED GTE	GTE BURIED TEL. CABLE	T	TOE
PP	POWER POLE	ACP	ASBESTOS CEMENT PIPE
UP	UTILITY POLE	INV	INVERT
SD	STORM DRAIN	C	CONCRETE
W	WATER	CR	CROWN
L.S.L.D.	LINDSAY-STRAITHMORE IRRIGATION DISTRICT	UG	UNDERGROUND
PH LOC	POTHOLE LOCATION	LAT	LATERAL

## SYMBOLS LEGEND

EXISTING FEATURES		PROPOSED FEATURES	
---	EXISTING WATER MAIN	---	NEW WATER MAIN
---	EXISTING WATER VALVE	---	NEW WATER VALVE
---	EXISTING FIRE HYDRANT	---	NEW REDUCER OR INCREASER
---	EXISTING IRRIGATION DISTRICT WATER MAIN	---	NEW FIRE HYDRANT ASSEMBLY WITH CONCRETE FILLED BALLARDS (PER DETAIL SHEET C-13)
---	EXISTING STORM DRAIN MANHOLE	---	NEW TEE
---	EXISTING STORM DRAIN DROP INLET	---	NEW 8" BEND
---	EXISTING STORM DRAIN LINE	---	NEW 45° BEND
---	EXISTING TOP OF CURB ELEVATION		
---	EXISTING FLOWLINE ELEVATION		
---	EXISTING PAVEMENT ELEVATION		
---	EXISTING SPOT ELEVATION		
---	EXISTING HINGE POINT ELEVATION		
---	EXISTING TOE OF SLOPE ELEVATION		
---	EXISTING CROWN OF ROAD ELEVATION		
---	EXISTING EDGE OF ROAD ELEVATION		
---	EXISTING SANITARY SEWER MANHOLE		
---	EXISTING SEWER LINE		
---	EXISTING TELEPHONE POLE		
---	EXISTING POWER POLE		
---	EXISTING MAIL BOX		

## UTILITY CO. ADDRESSES

- CITY OF LINDSAY PUBLIC WORKS DEPARTMENT  
150 North Merage Ave., Lindsay, CA 93247  
Attention: Tom McCurdy (559) 582-5945
- LINDSAY-STRAITHMORE IRRIGATION DISTRICT  
23260 Round Valley Rd., Lindsay, CA 93247  
Attention: Scott Edwards (559) 582-2581
- GTE  
710 S. Kameh Ave., Exeter, CA 93221  
Attention: Sonny Hilde (559) 592-4138
- SOUTHERN CALIFORNIA GAS COMPANY  
404 N. Tipton St., Visalia, CA 93292  
Attention: Joe Kaminski (559) 739-2308
- SOUTHERN CALIFORNIA EDISON COMPANY  
2425 S. Blackstone St., Yuba, CA 93275  
Attention: Bob Castaneda (559) 685-3227
- FALCON CABLE TELEVISION  
1152 W. Henderson Ave., Porterville, CA 93257  
Attention: Bill Daniel (559) 787-3353

BEYONDER EXCAVATING  
CALL • USA  
1-800-642-2444

## RECORD DRAWING

This record drawing has been prepared, in part, based upon information furnished by the contractor. The engineer and designer assume no responsibility for the accuracy of this record drawing or for any errors or omissions which may have been incorporated into it as a result of the contractor's work. The engineer and designer assume no independent verification of its accuracy before applying it for any purpose.

WING NUMBER

LECTS • NEW HEPB, MINNESOTA  
POWER BY PART NUMBER 0001

DRAWING NUMBER

PW126-EDDD  
SAVED PRECUTS • NEW HEPB, MINNESOTA  
POWER BY PART NUMBER 0001

DRAWING NUMBER

SAVED PRECUTS • NEW HEPB, MINNESOTA  
POWER BY PART NUMBER 0001

DRAWING NUMB

SAVED PRECUTS • NEW HEPB,  
POWER BY PART NUMBER 0001

REVISIONS	DATE	BY	DESCRIPTION

APPROVED BY: \_\_\_\_\_  
DATE: \_\_\_\_\_

SEE ORIGINAL FOR SIGNATURE AND SEAL

APPROVED BY: \_\_\_\_\_  
DATE: \_\_\_\_\_

PREPARED BY: \_\_\_\_\_  
5500 KING AVENUE  
SUNTECH, CA 93290  
TEL: (559) 833-4300  
FAX: (559) 833-8311  
GKM BRTS. DWG  
Quad Knopf

IMPROVEMENT PLAN FOR:  
CITY OF LINDSAY WATER FACILITIES  
CONTRACT A - RESERVOIR AND  
WATER TREATMENT PLANT  
Cover Sheet

DATE: SEPT. 2000  
JOB NO.: 89197 CONTRACT A  
DWG. NO.: PW126/EDDD.DWG  
SCALE: NOT TO SCALE  
SHEET NO.: G-2









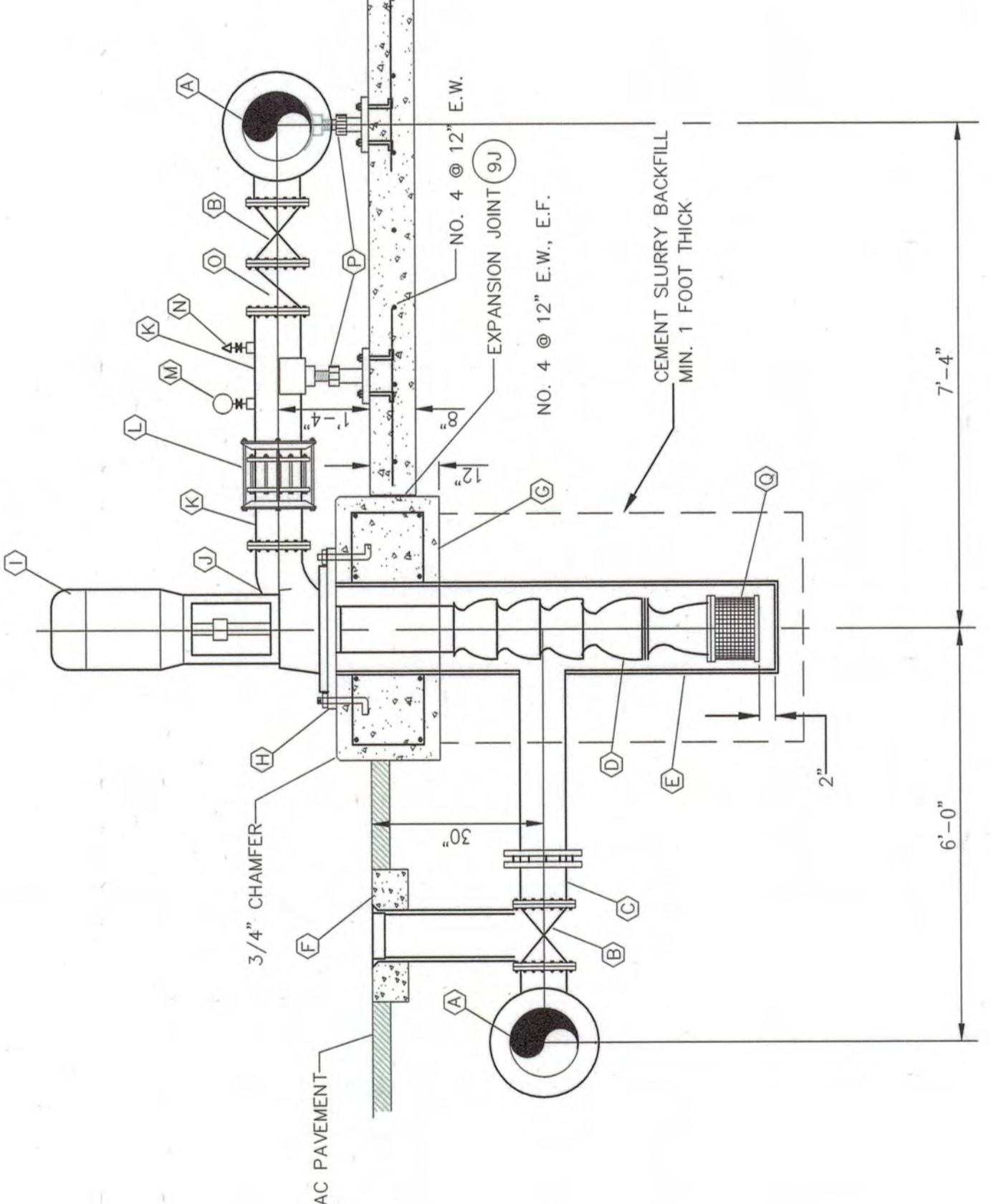




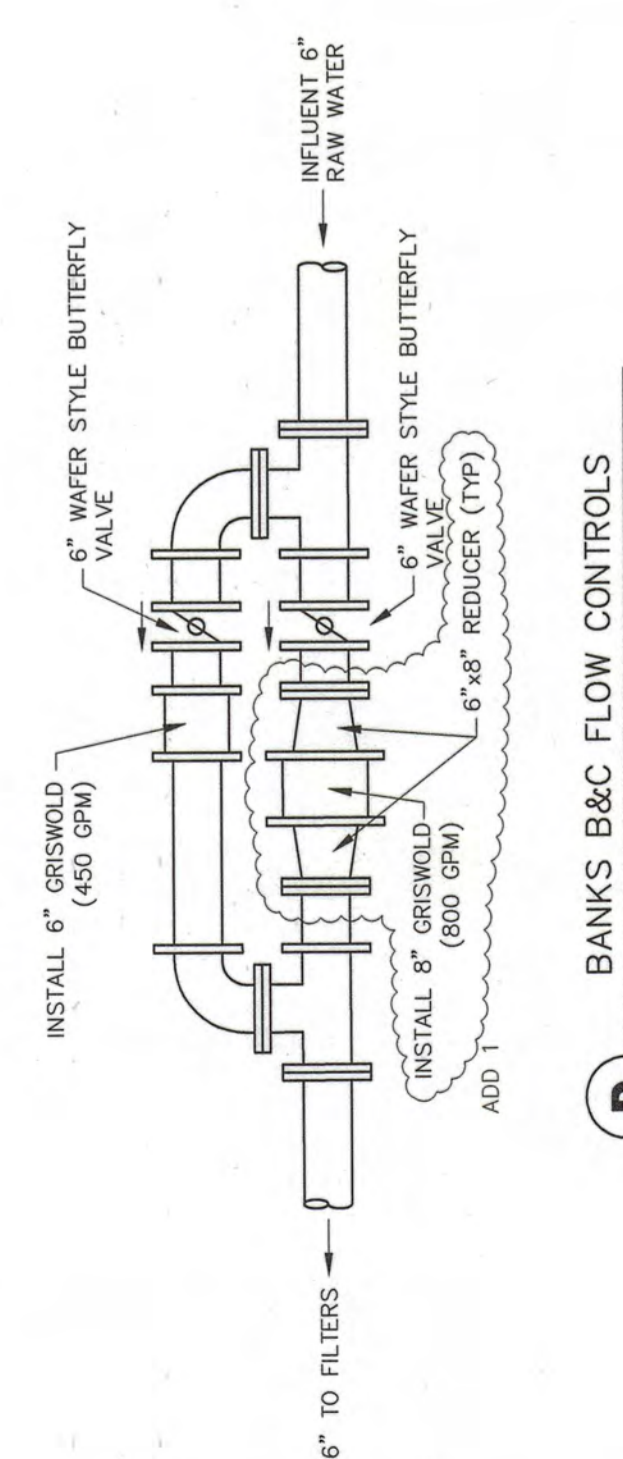


**LEGEND**

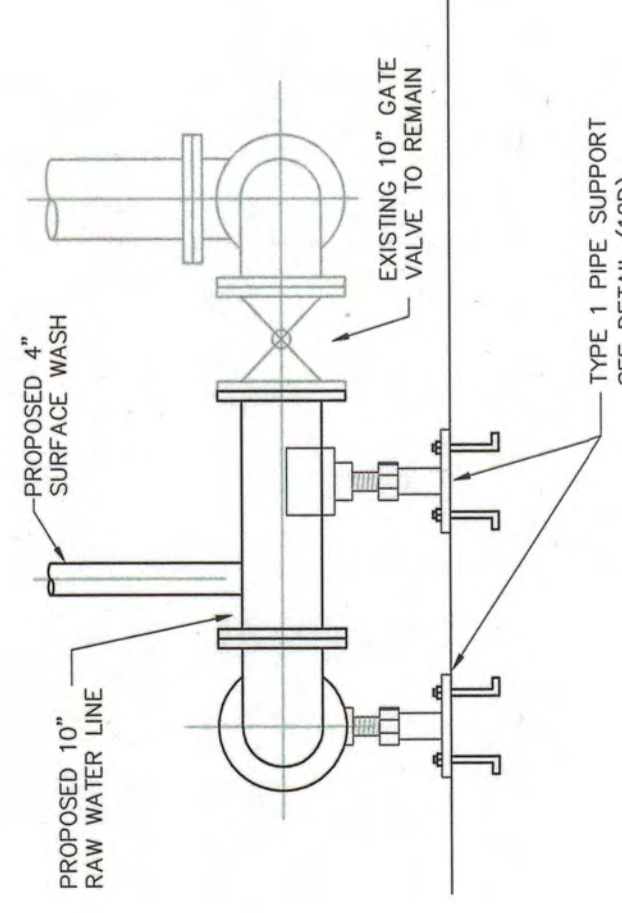
- (A) 12" x 8" TEE
- (B) 8" GATE VALVE FLANGED
- (C) 8" FLANGED ADAPTER WITH THRUST PINS
- (D) 13" VALVE FRAME COVER AND COLLAR (DETAIL 10K)
- (E) 13" VALVE FRAME COVER AND COLLAR (DETAIL 10K)
- (F) 4" x 16" RAISED PCC PUMP PRECAST (SEE GRADING PLANS)
- (G) SOLE PLATE WELDED TO CAN (SEE DETAIL 7A)
- (H) CAST IRON DISCHARGE HEAD
- (I) 8" DIP FLANGE BY PLAIN END
- (J) FLEX COUPLING WITH THRUST RESTRAINT COLLARS & BOLTS
- (K) PRESSURE GAUGE VALVE WITH COCK (1/2" NPT) (100 PSI)
- (L) 8" SILENT CHECK VALVE, GOBE STYLE, FLANGED
- (M) ADJUSTABLE PIPE SUPPORT (SEE DETAIL 100)
- (N) SUCTION BELL AND BASKET STRAINER



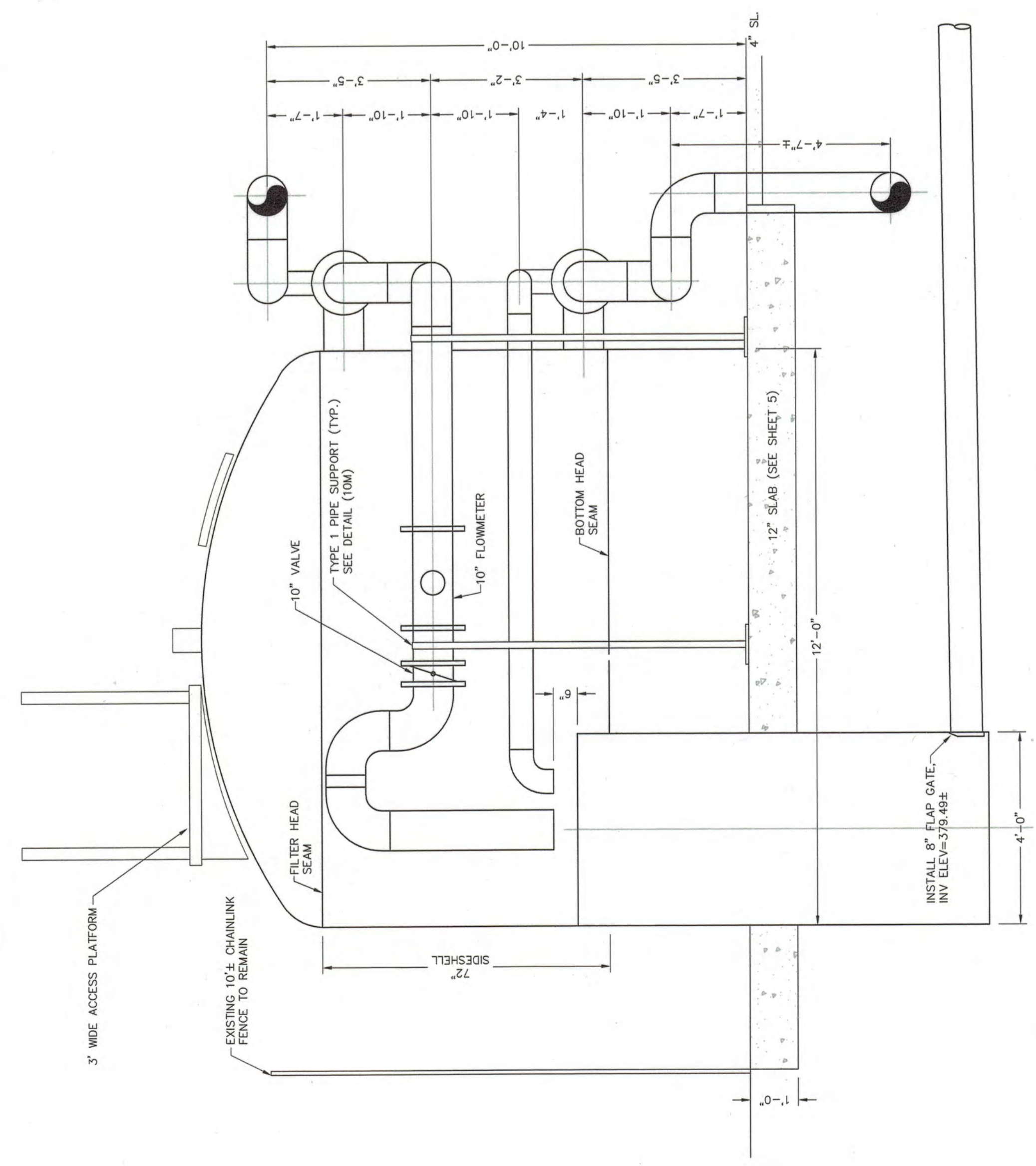
**E** BOOSTER PUMP SECTION  
SCALE: 1/2"=1'



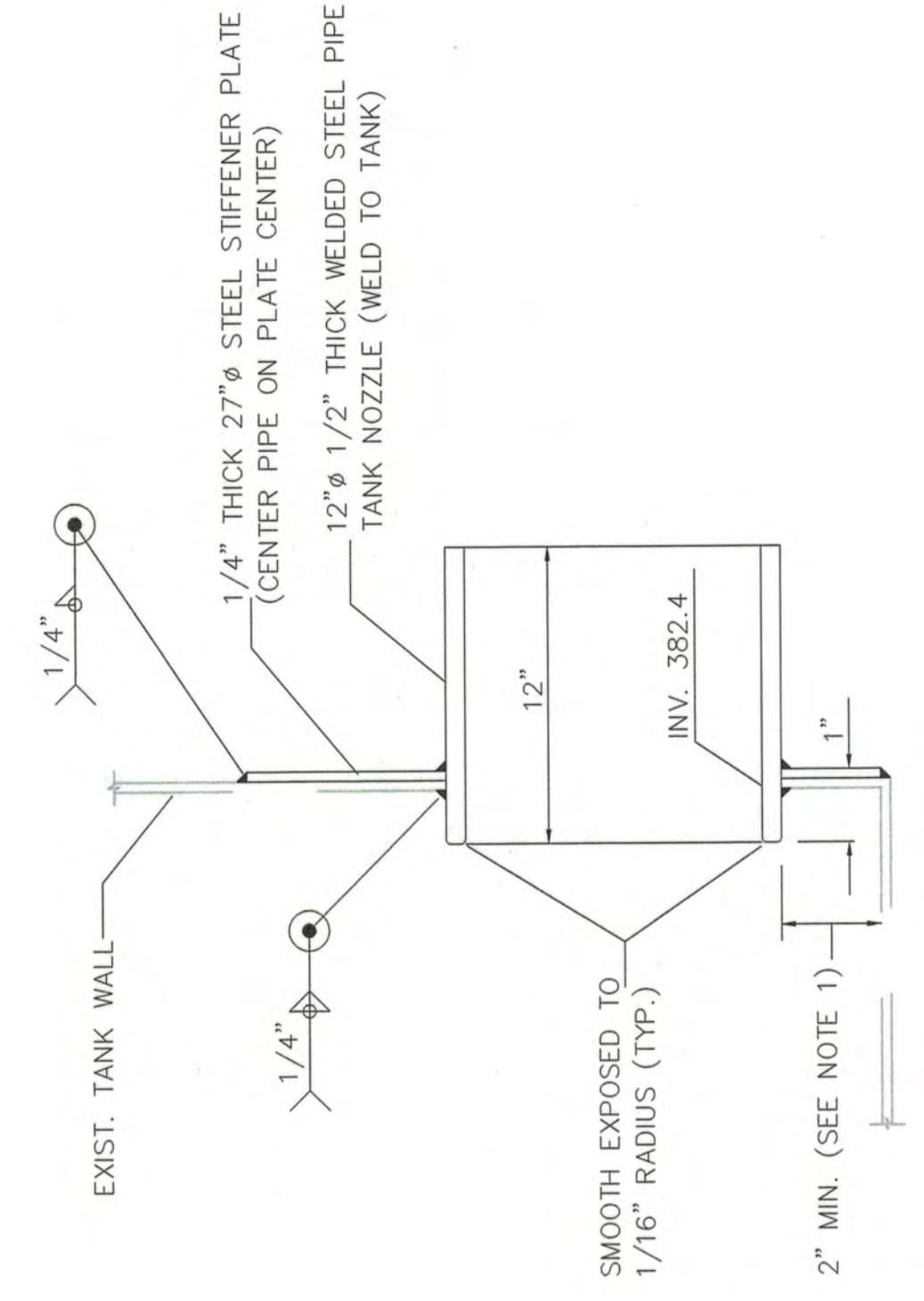
**D** BANKS B&C FLOW CONTROLS  
SCALE: 1/2"=1'



**G** PROPOSED BANK A CONNECTION  
SCALE: 1/2"=1'

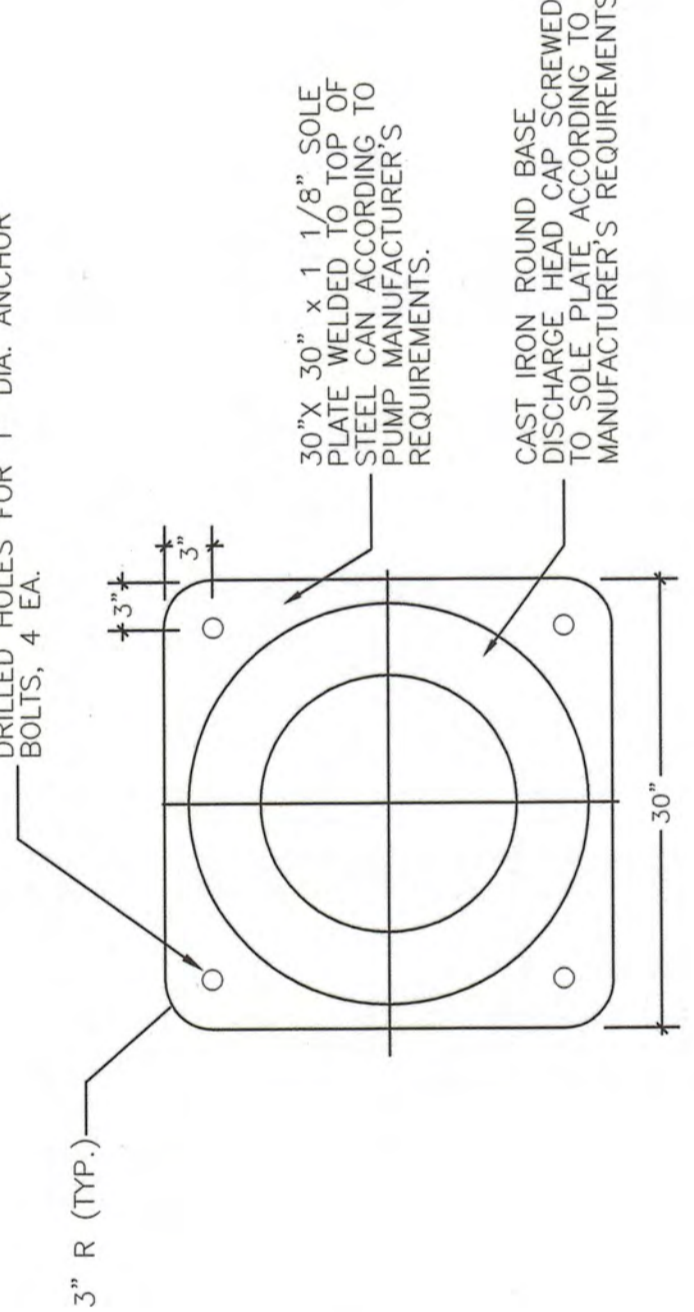


**F** BANK D RINSE SECTION  
SCALE: 1/2"=1'



**7B** SURGE TANK NOZZLE  
SCALE: 1/2"=1'

1. IF PIPE INSET OF 202.4 CANNOT BE MET WITH MIN. CLEARANCE OF 2" RAISE INSET TO MATCH 2" CLEARANCE.
2. ALIGN PIPE CENTER TO CENTER OF 27" PLATE, TRIM LOWER PORTION AS NEEDED AT TANK BOTTOM FOR WELDING.
3. RECOAT SURFACE AREAS OF TANK AND PIPE DAMAGED BY ADAPTER WITH THRUST RESTRAINT PINS.
4. CONNECT YARD PIPING TO NOZZLE USING A FLANGED COUPLING ADAPTER WITH THRUST RESTRAINT PINS.



**7A** SOLE PLATE DETAIL  
SCALE: 1/2"=1'

**RECORD DRAWING**

This record drawing has been prepared in part, based upon information furnished by others. While this information is believed to be reliable, the DESIGN PROFESSIONAL cannot be held responsible for any errors or omissions which may have been incorporated into it as a result. Those relying on this record drawing are advised to verify the accuracy of the information contained herein and apply it for any purpose.

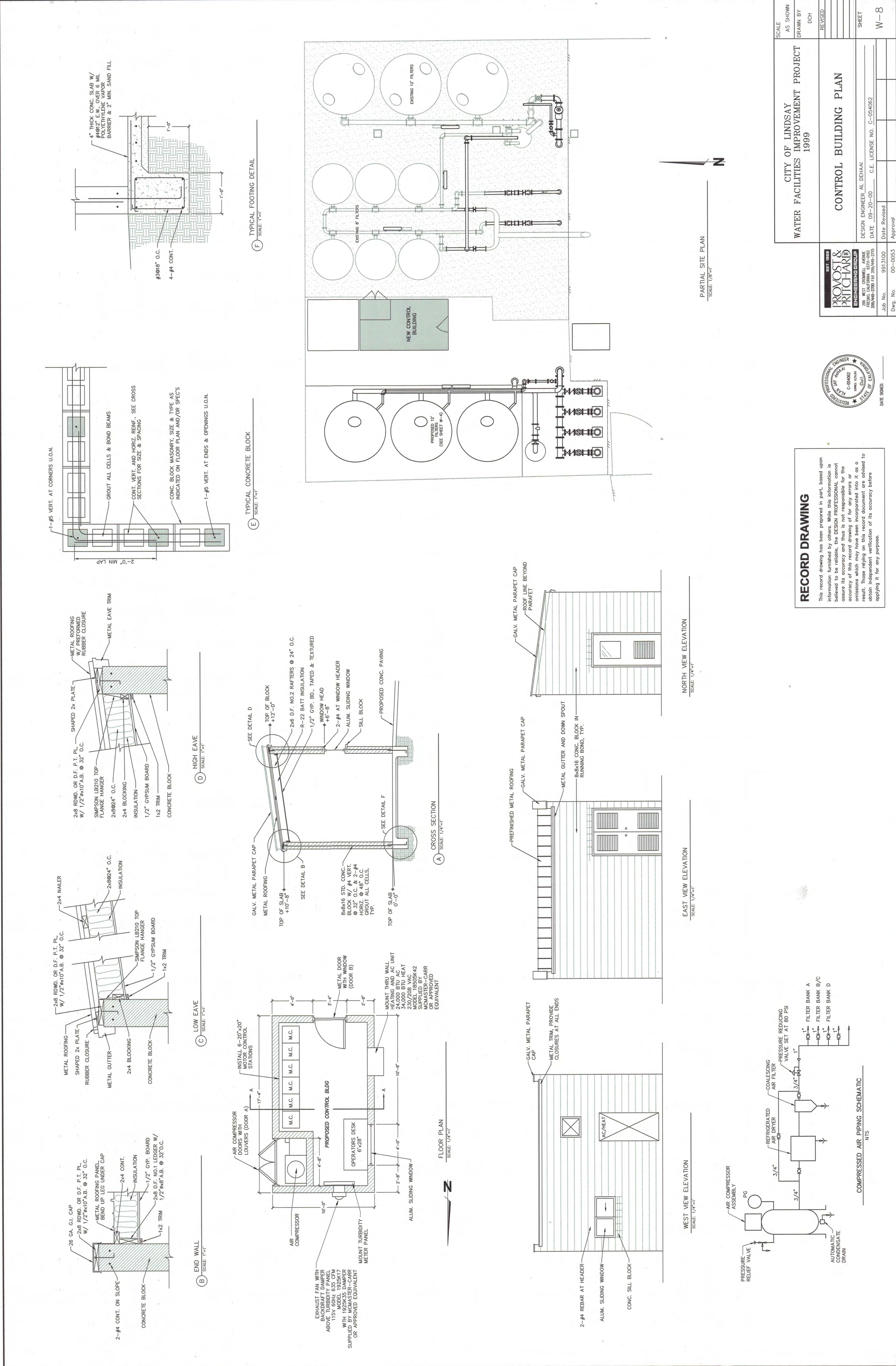
**PROVOST & PRITCHARD**  
ENGINEERING ARCHITECTS  
700 WEST OAKLAND AVENUE  
ANN ARBOR, MI 48106-1500  
Job No. 9915100  
Date Revised  
Approval

**PROFESSIONAL ENGINEER**  
STATE OF MICHIGAN  
C-06482  
DATE 02-20-00  
CE LICENSE NO. C-06482

CITY OF LINDSAY  
WATER FACILITIES IMPROVEMENT PROJECT  
1999

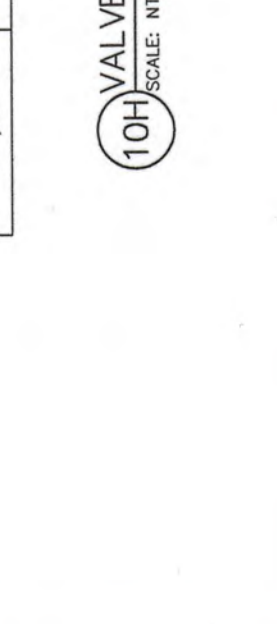
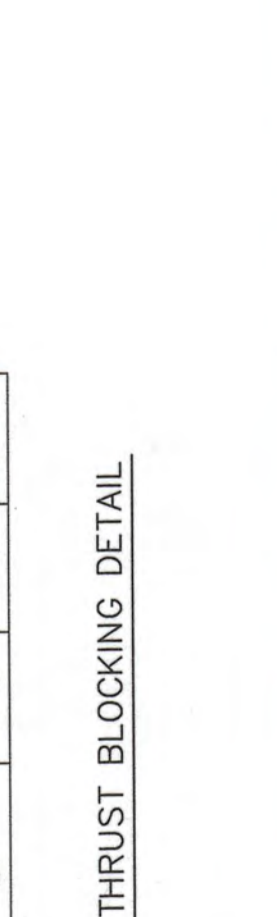
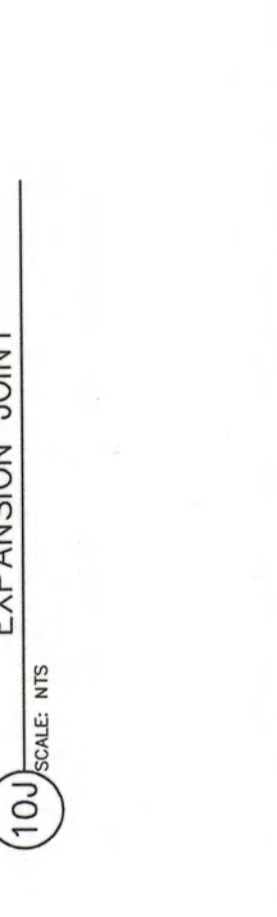
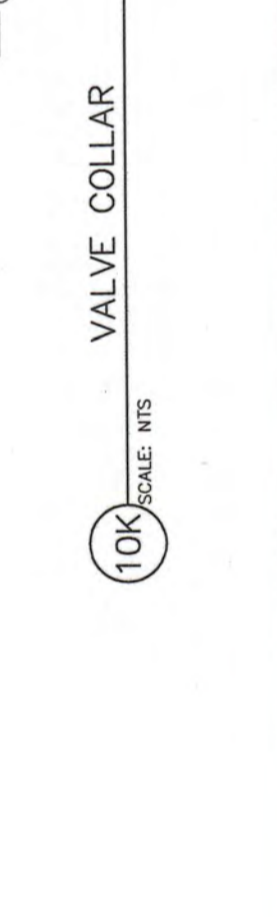
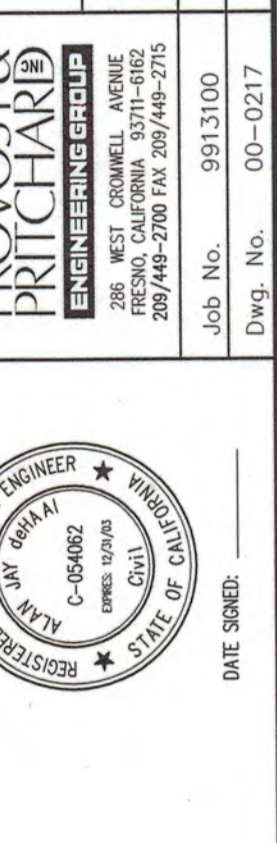
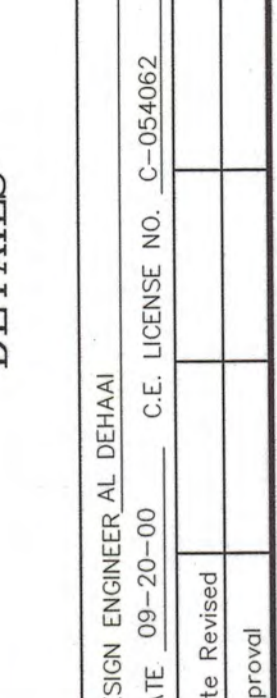
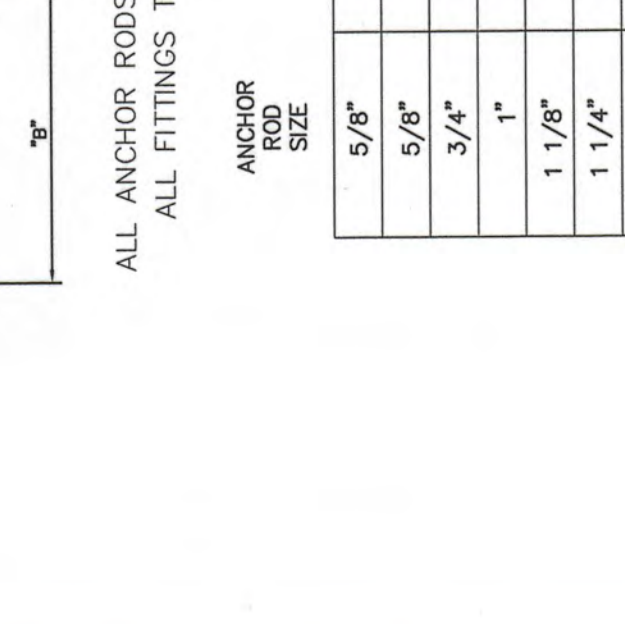
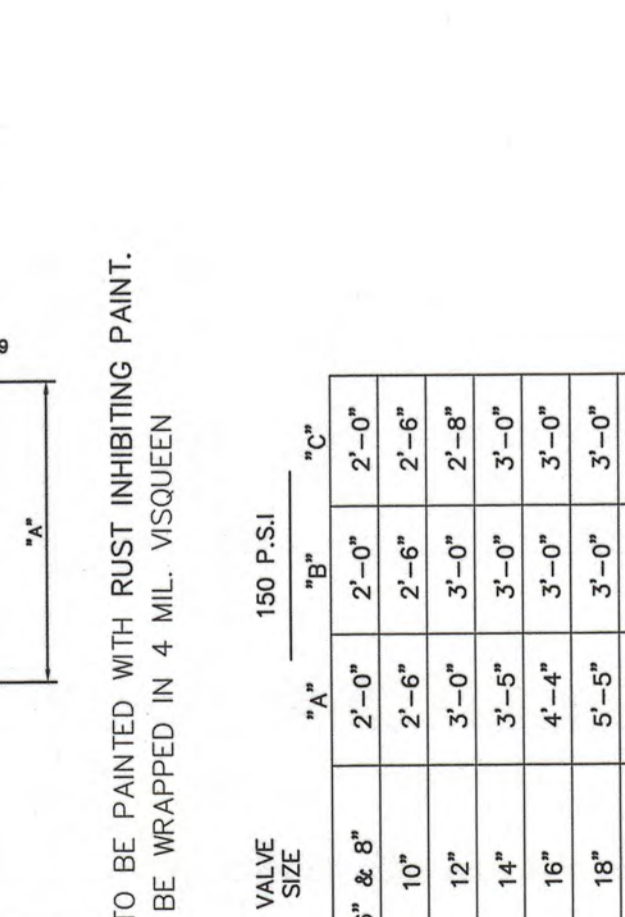
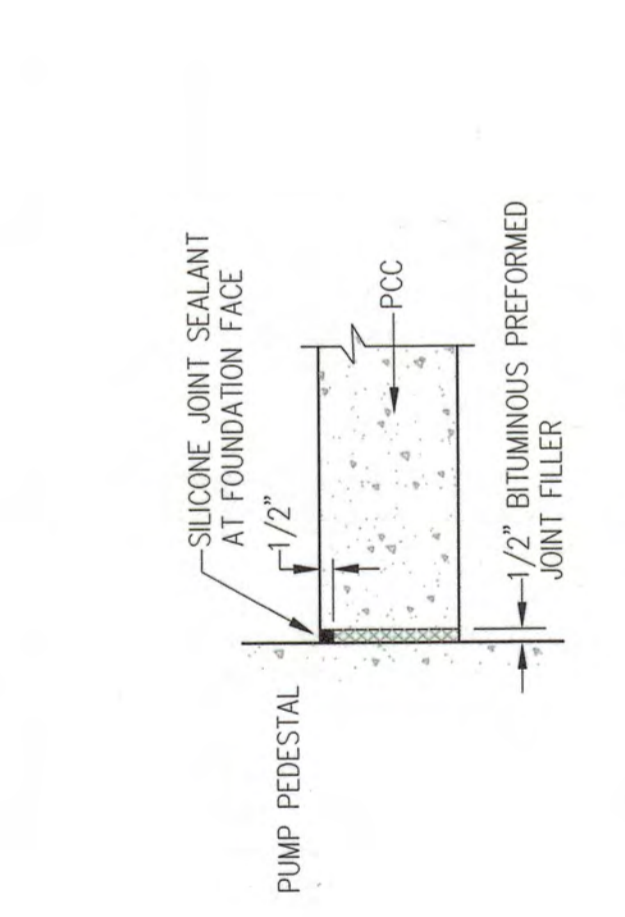
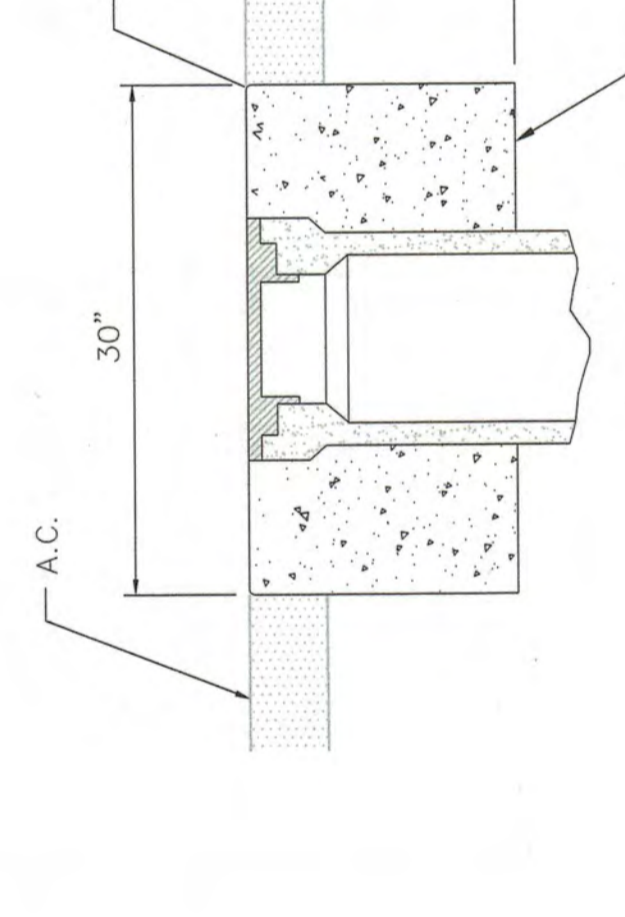
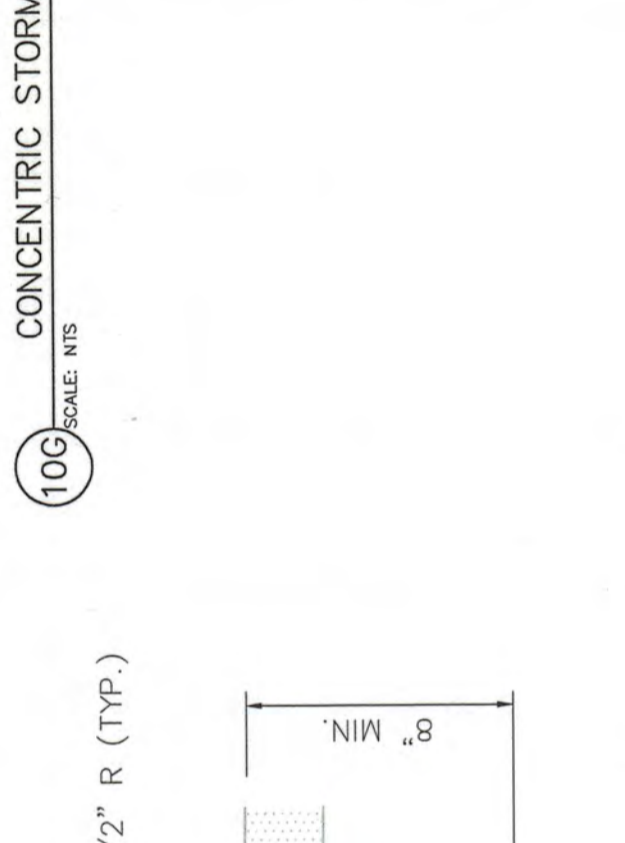
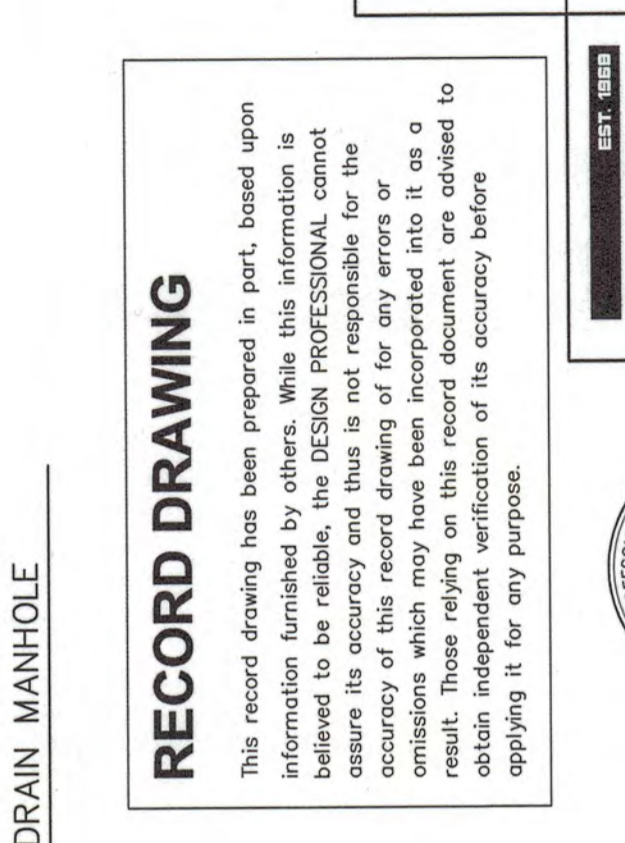
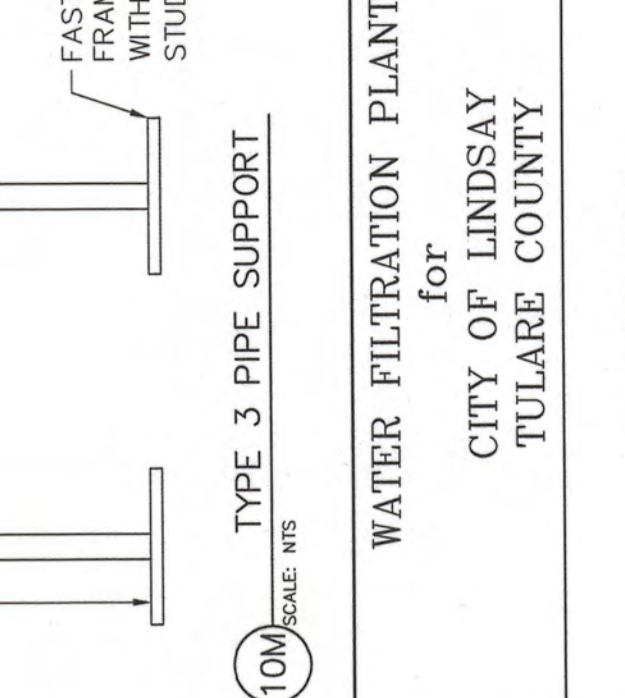
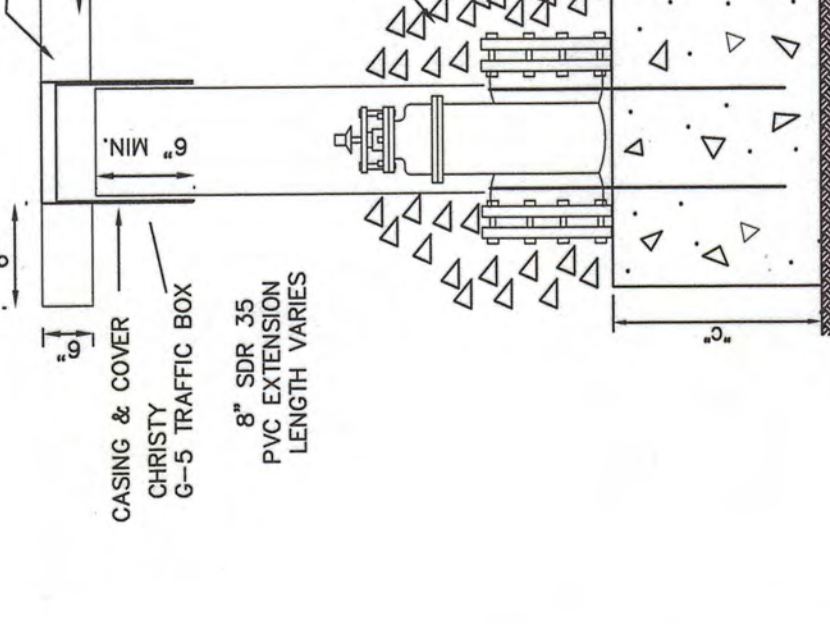
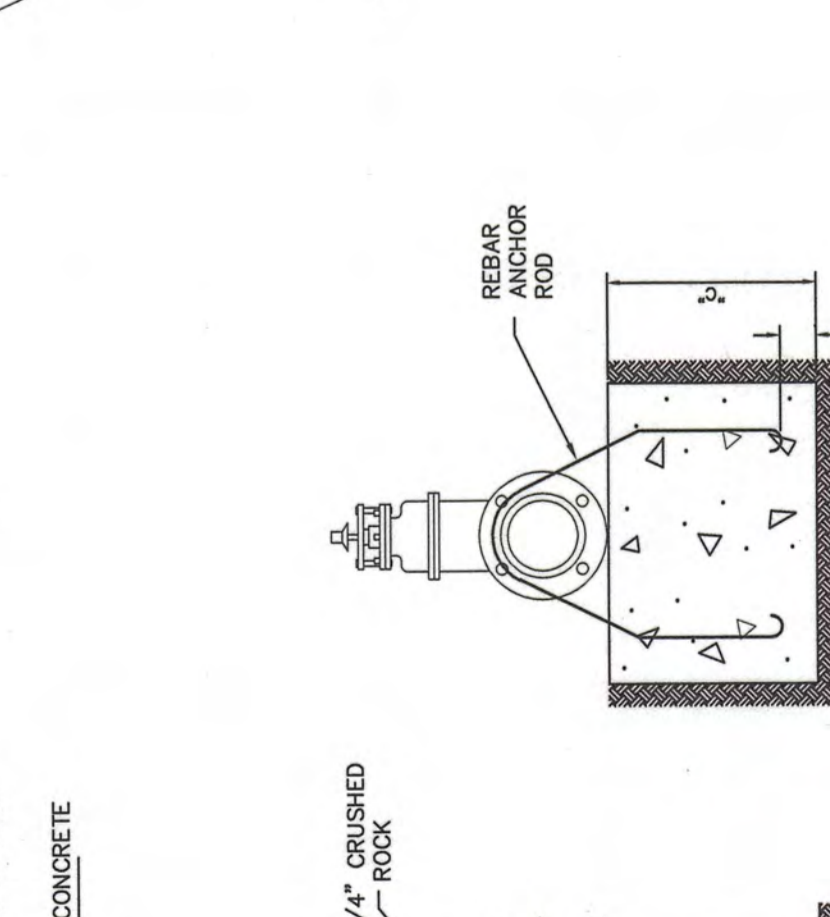
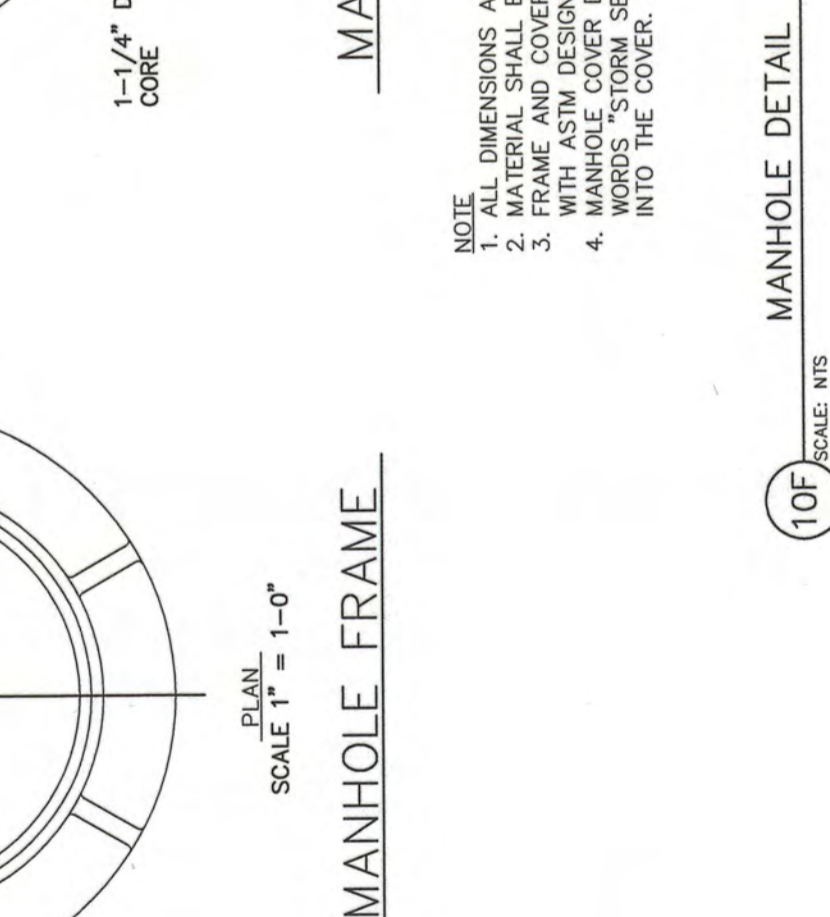
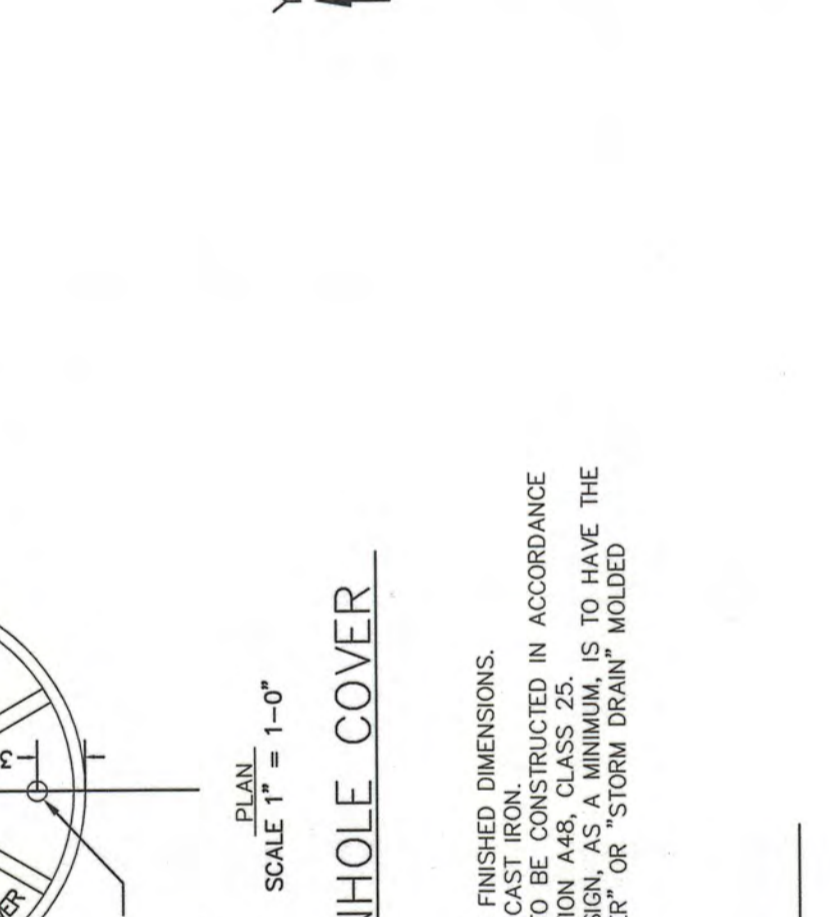
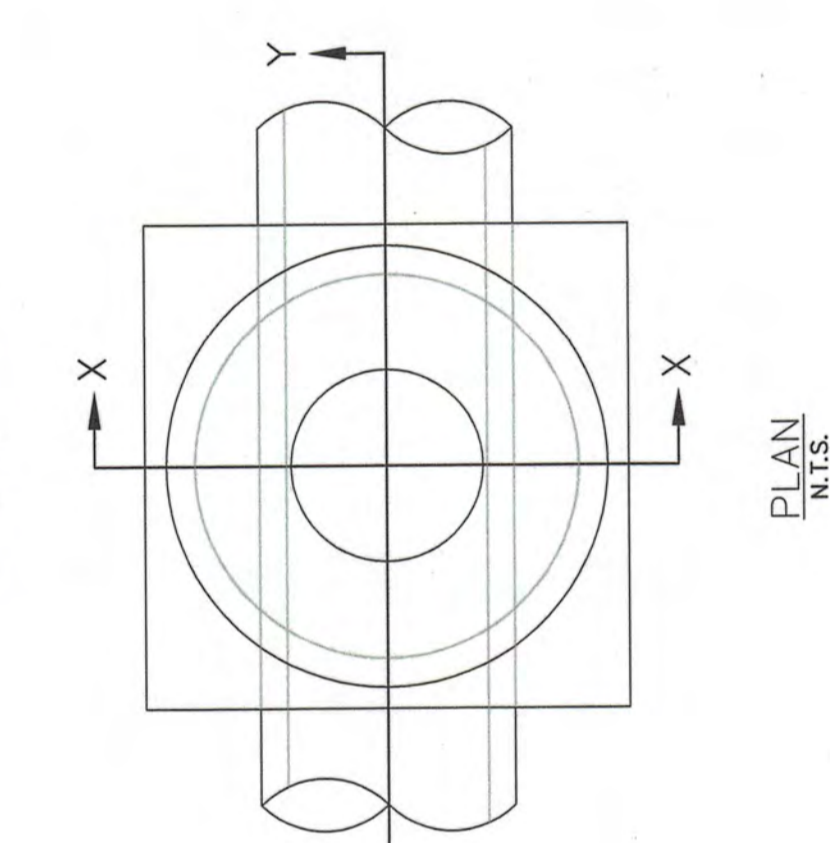
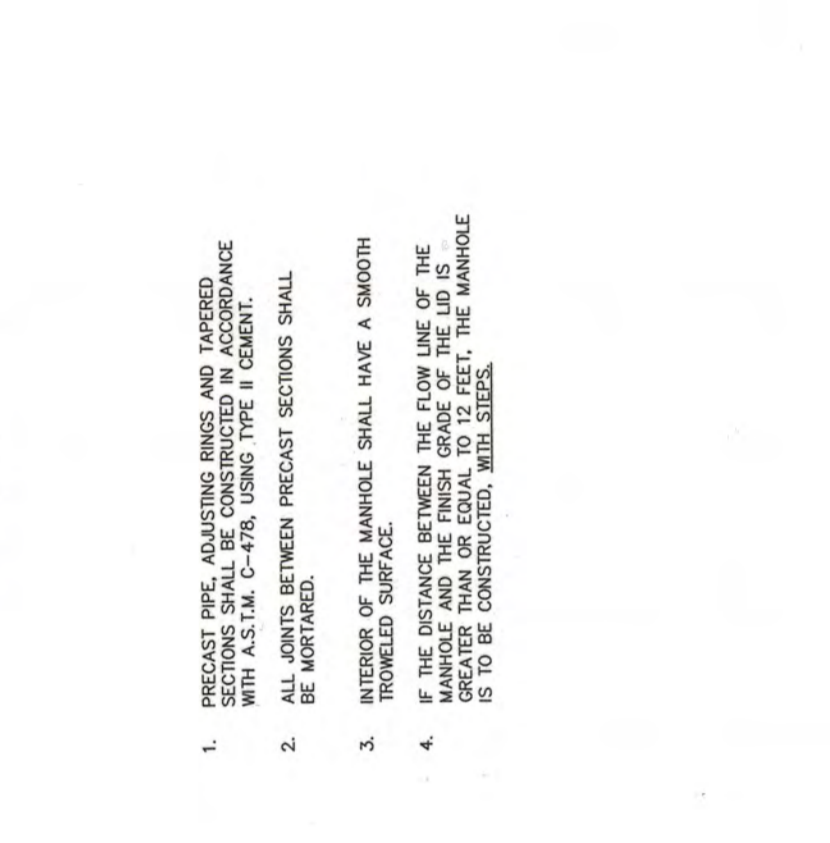
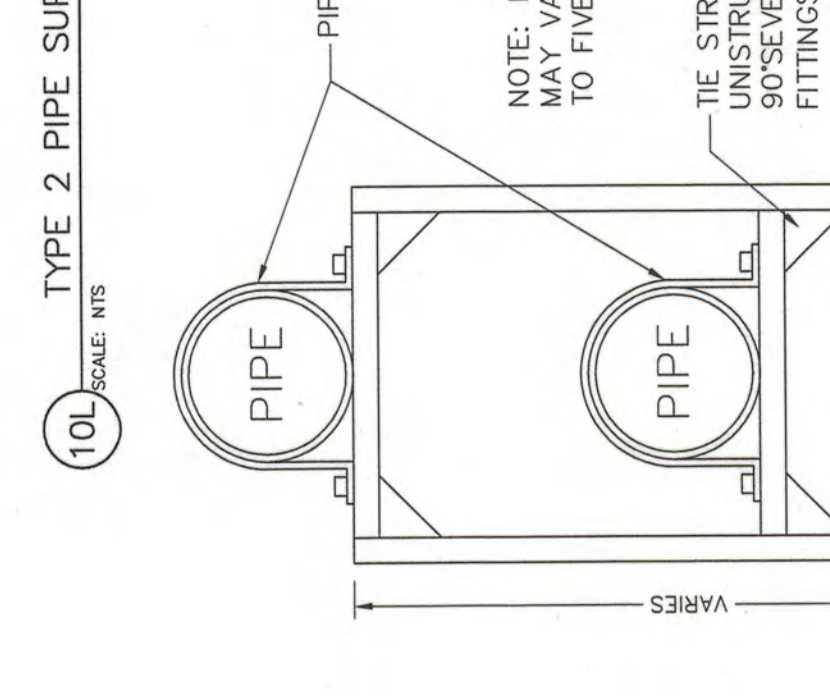
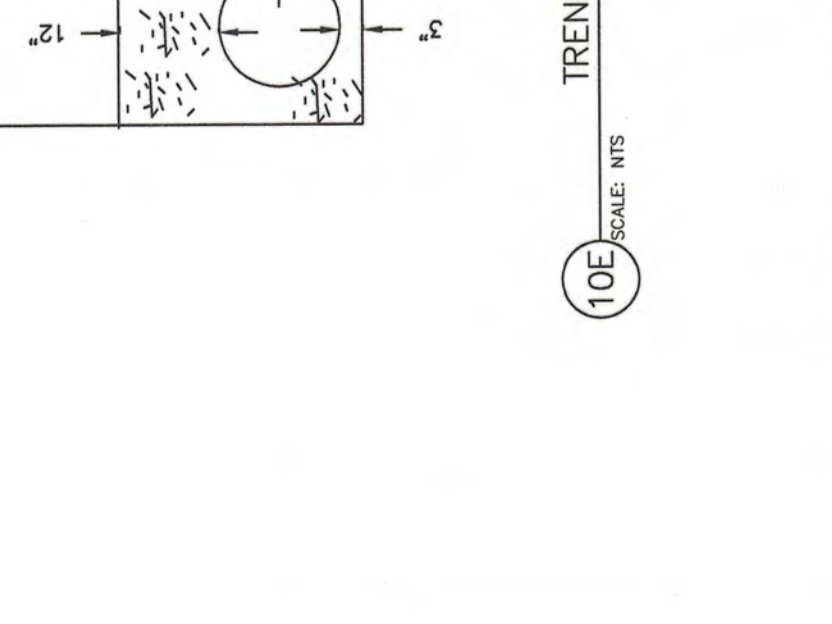
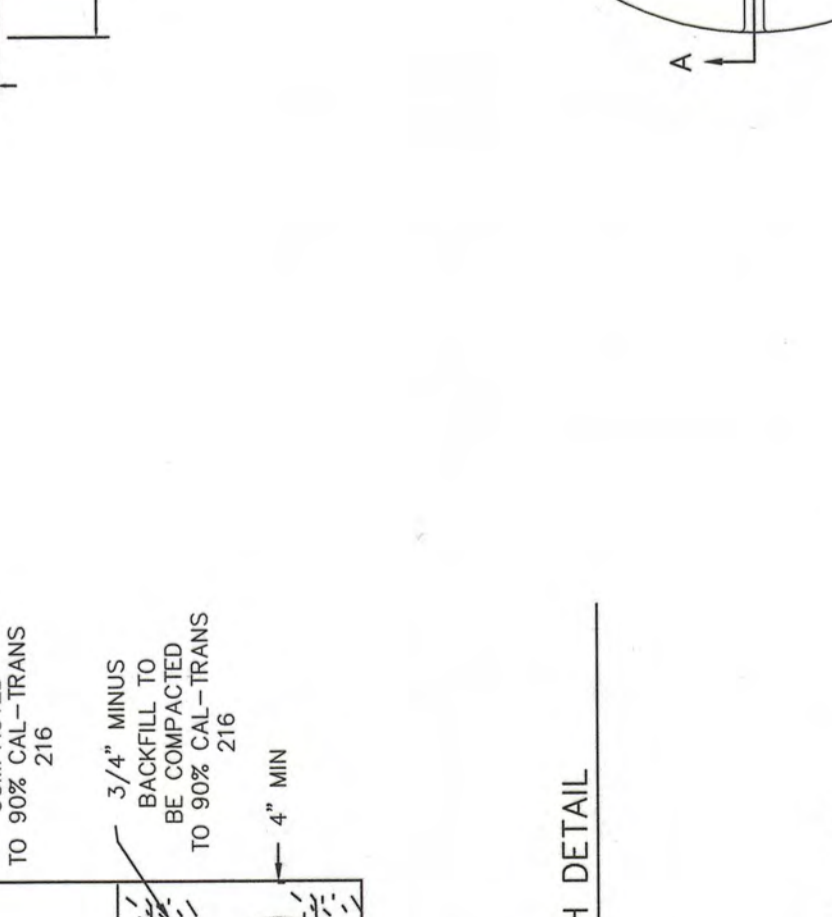
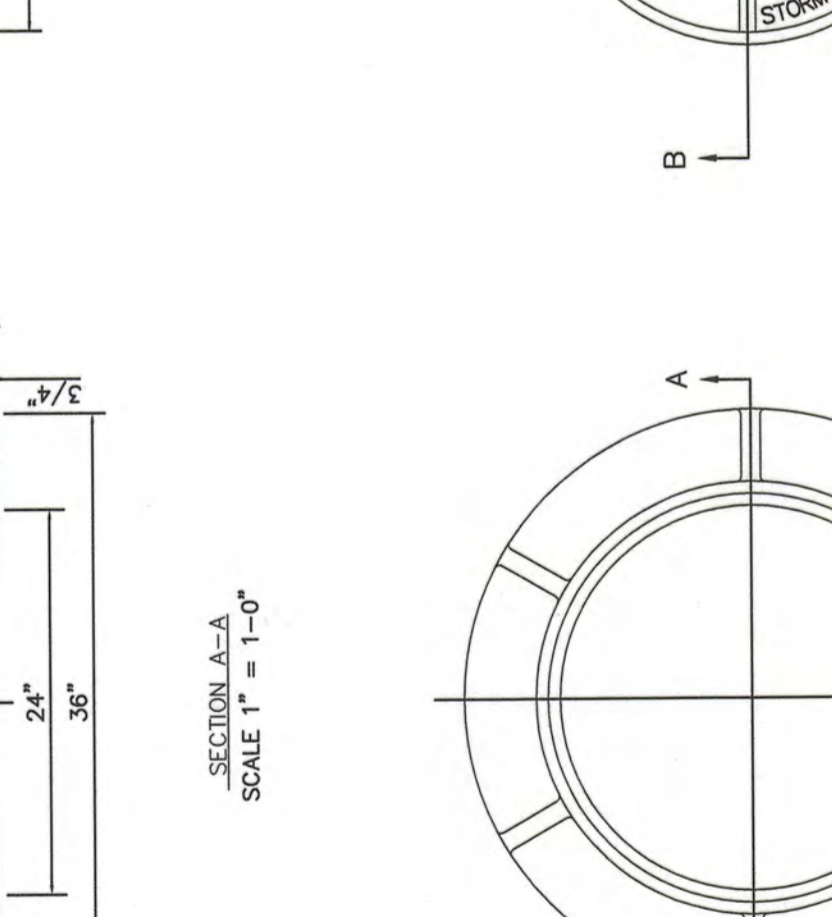
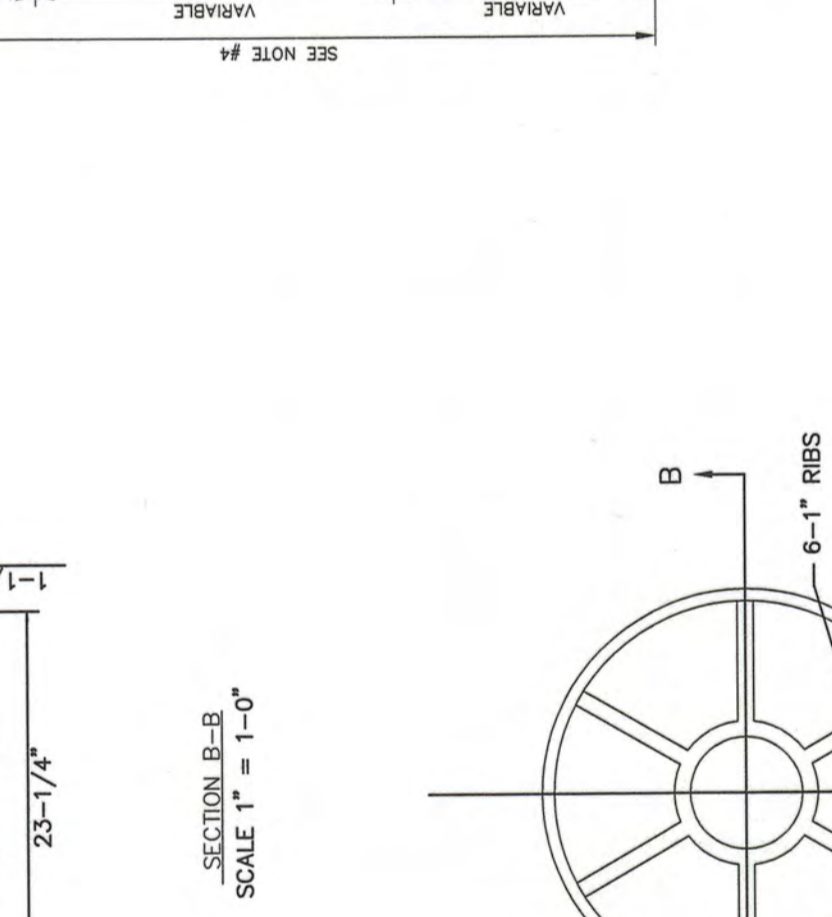
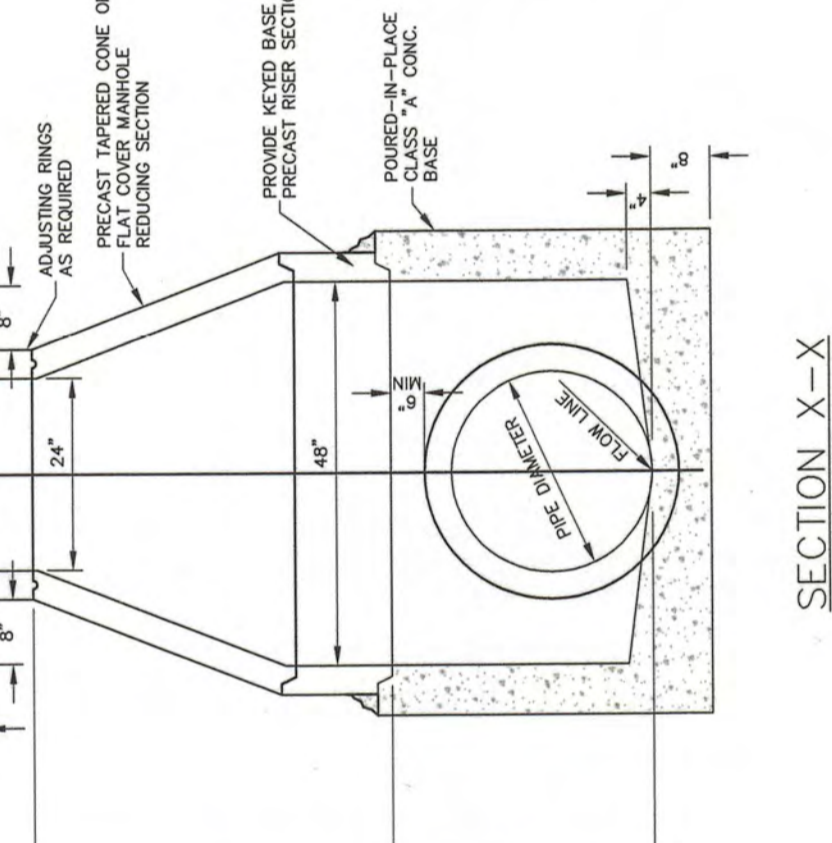
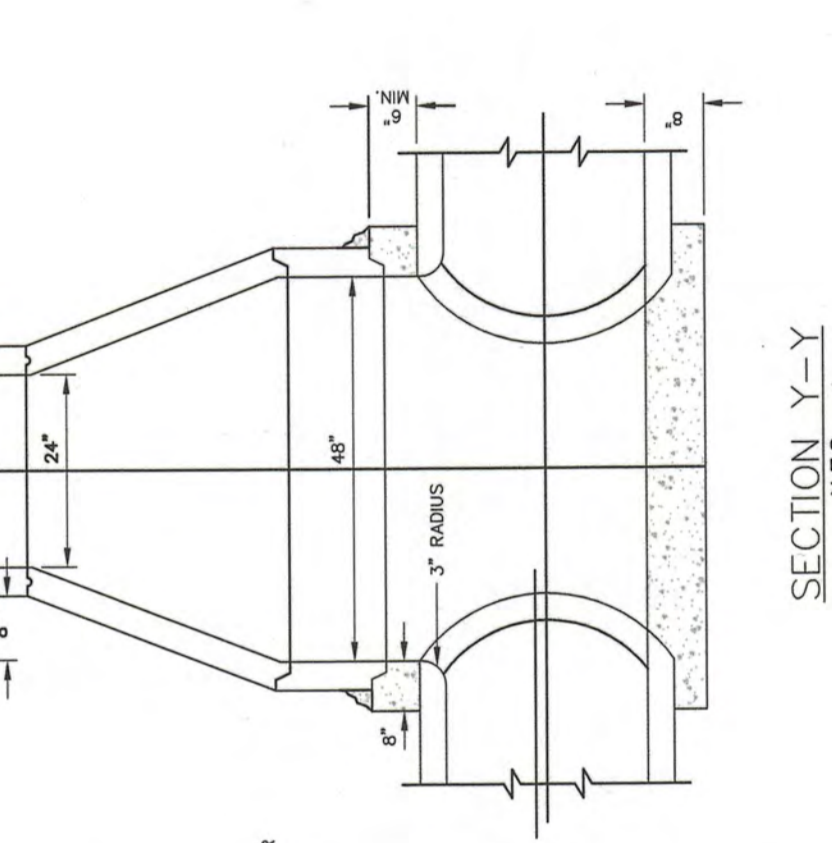
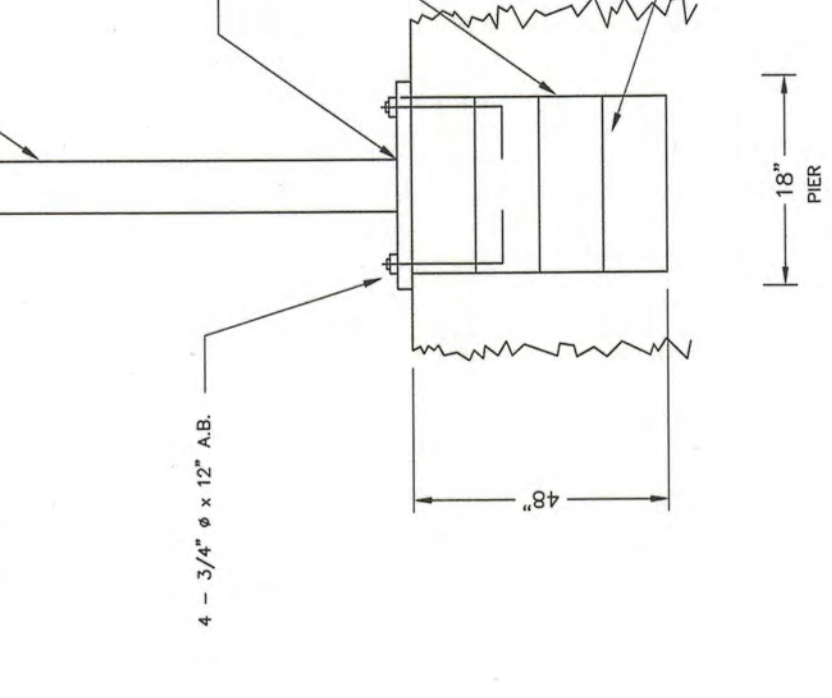
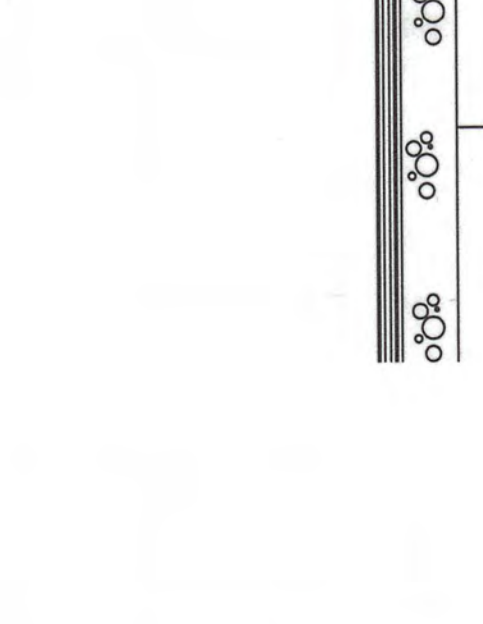
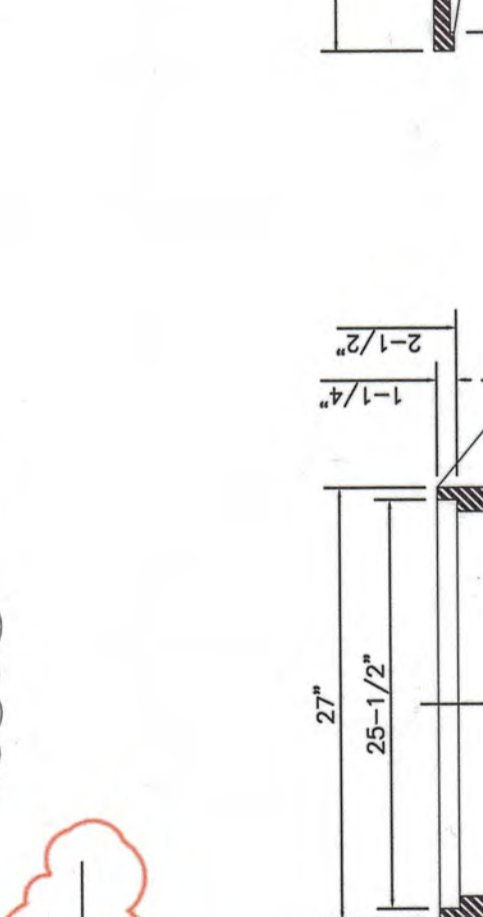
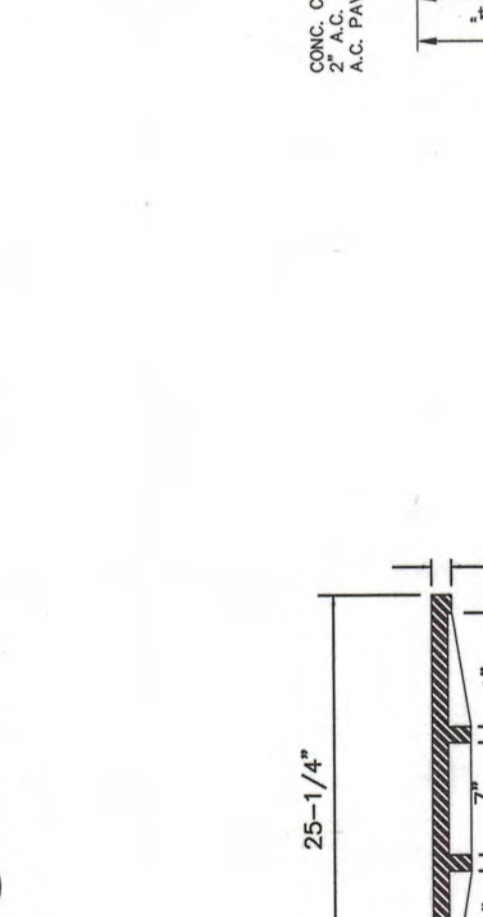
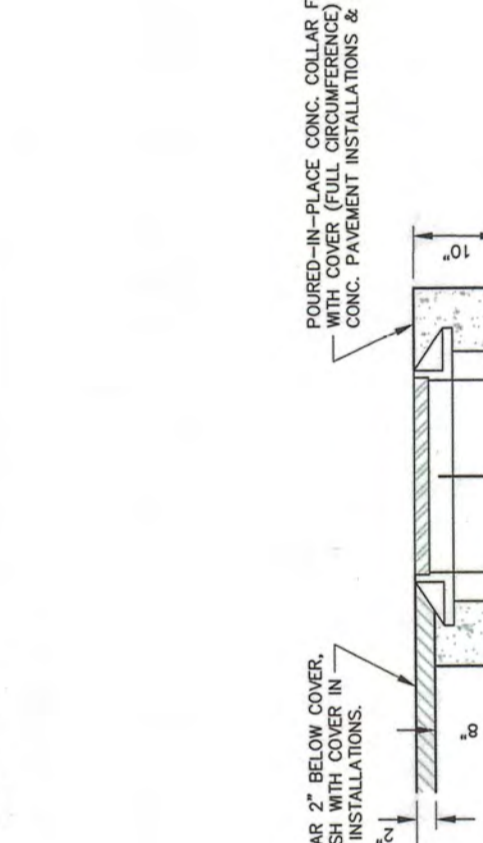
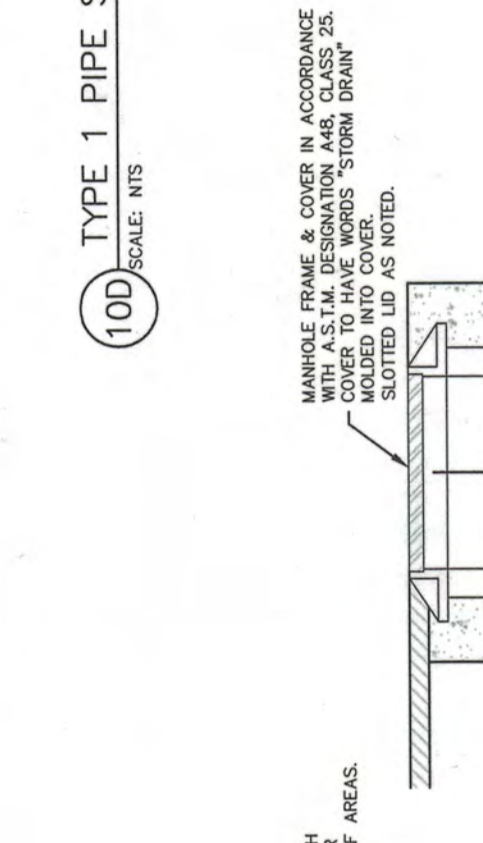
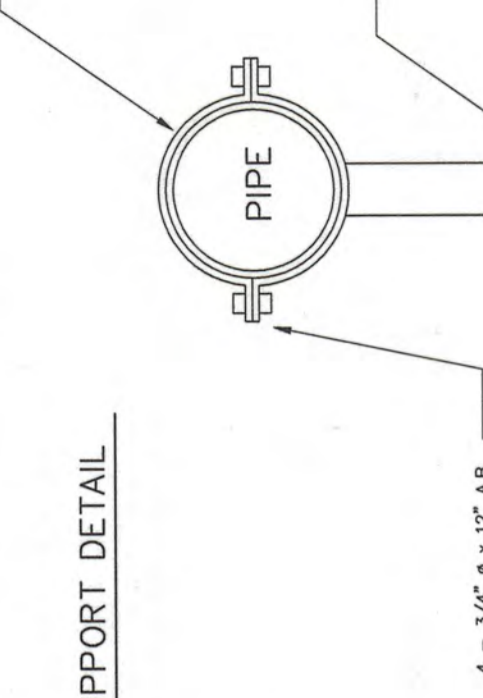
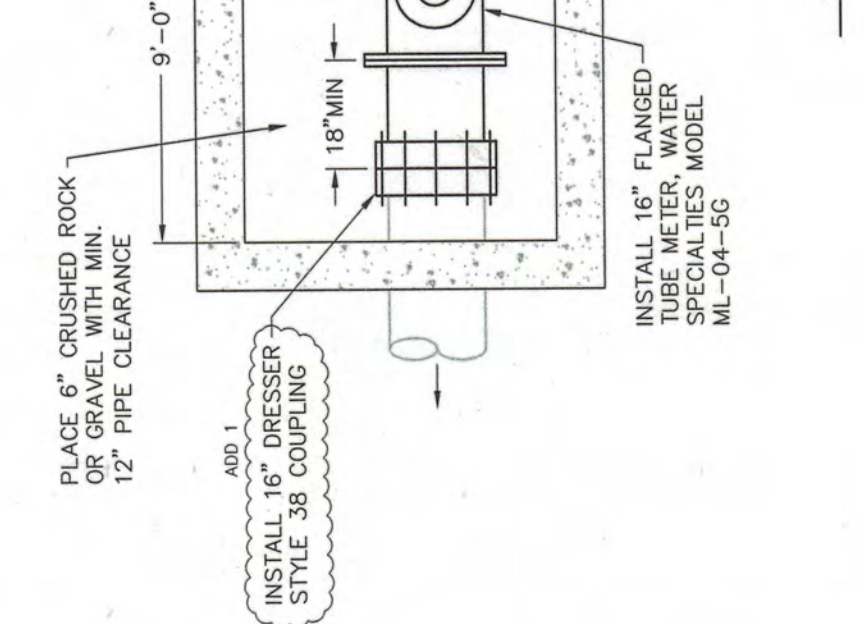
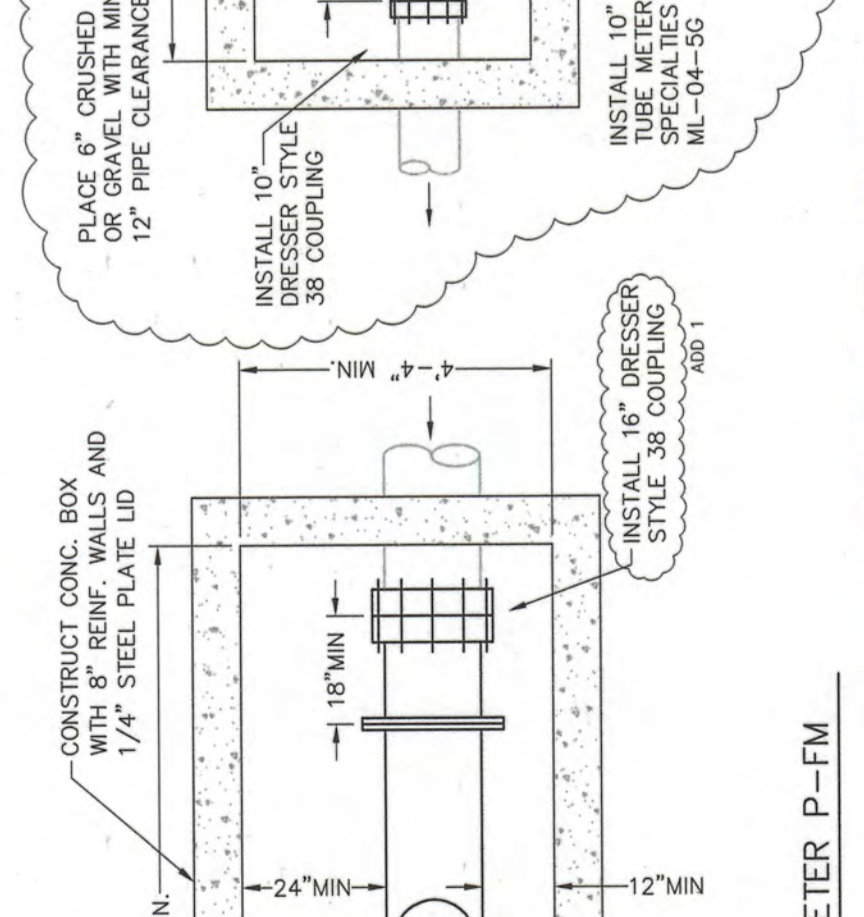
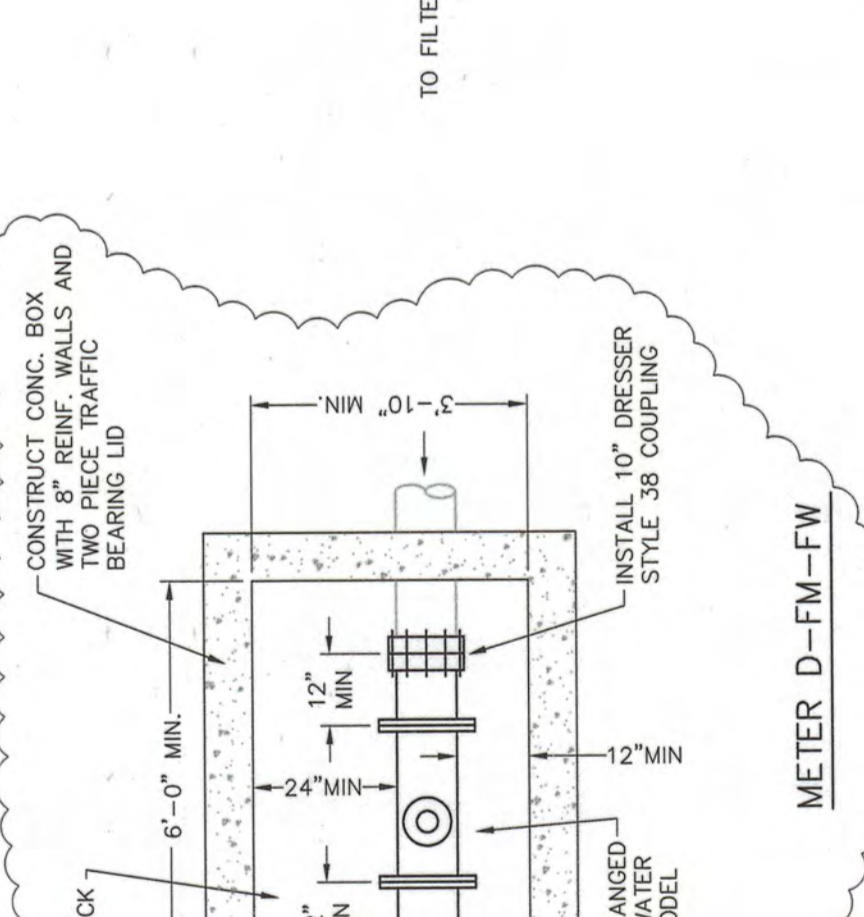
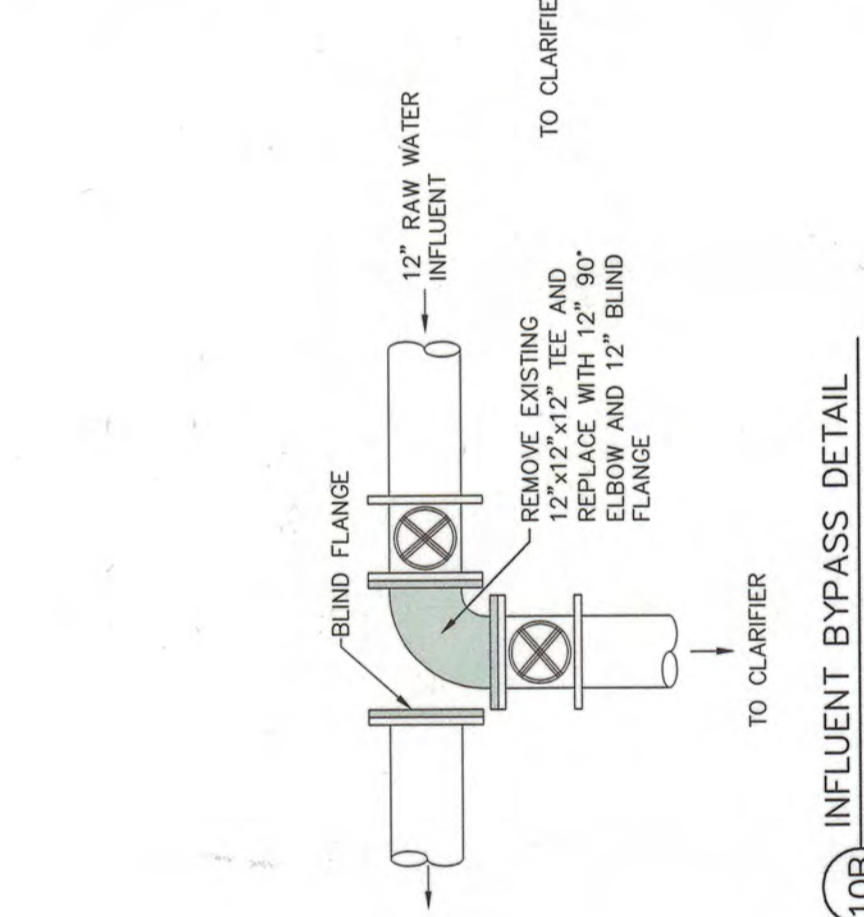
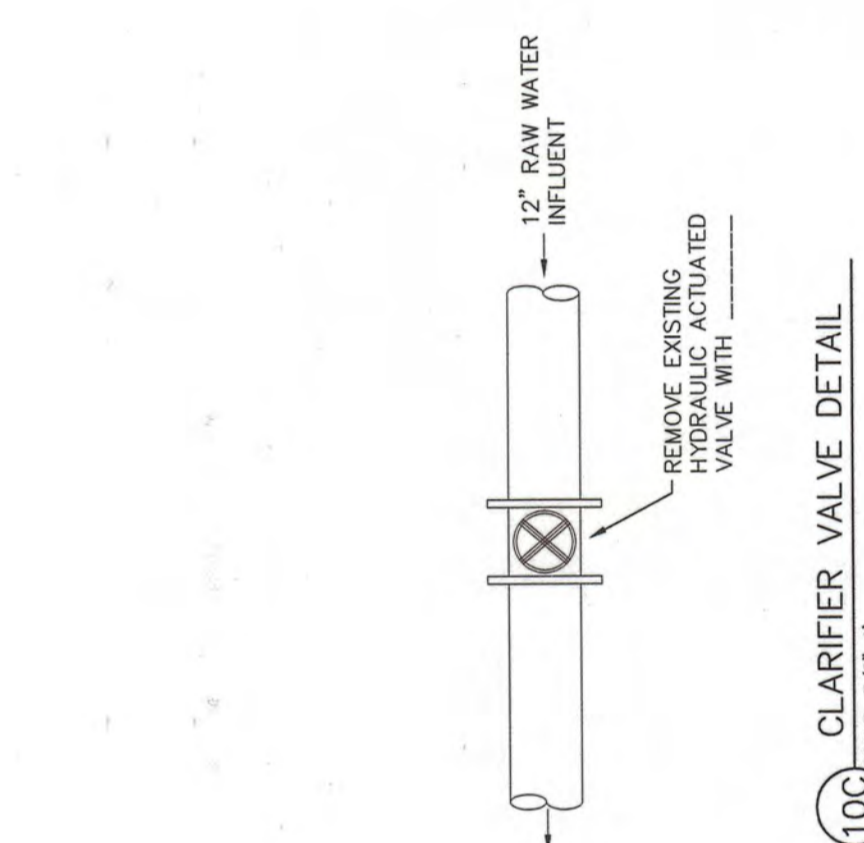
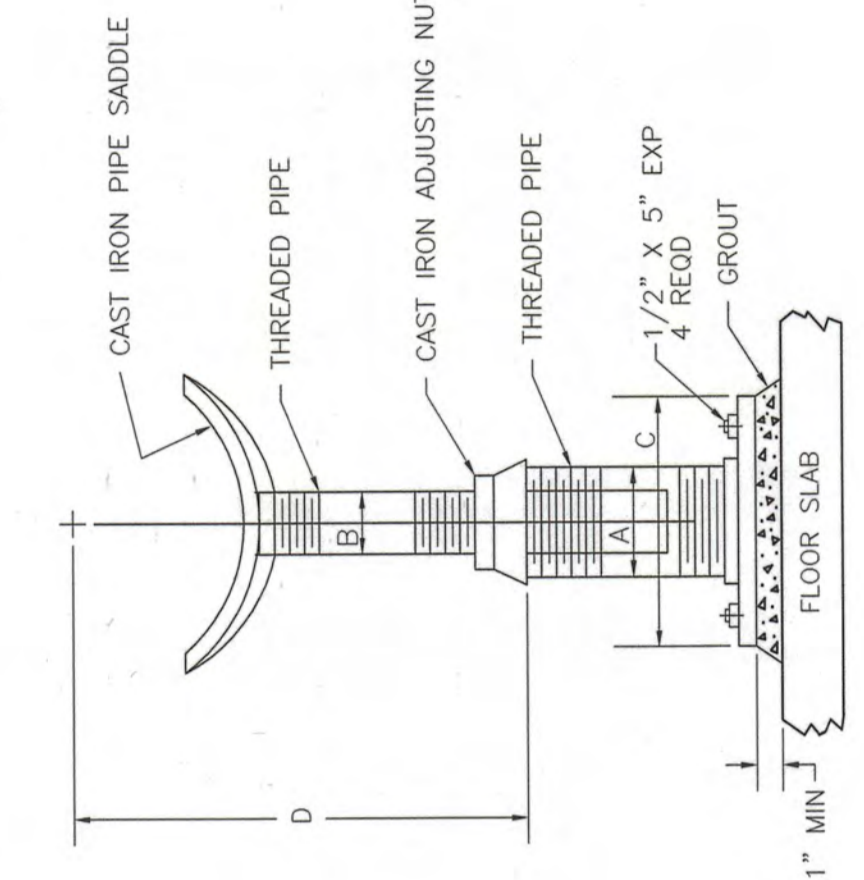
PROPOSED FACILITIES SECTIONS

SCALE AS SHOWN  
DRAWN BY DCI  
DESIGNED BY DCI  
SHEET W-7





PIPE SIZE	W	H	L	MIN. H	MIN. W	MIN. L
3"	3.1/2"	3.1/2"	1.1/2"	9	8.1/4"	13.1/4"
4"	3.1/2"	3.1/2"	1.1/2"	9	8.1/4"	13.1/4"
5"	3.1/2"	3.1/2"	1.1/2"	9	8.1/4"	13.1/4"
6"	3.1/2"	3.1/2"	1.1/2"	9	8.1/4"	13.1/4"
8"	3.1/2"	3.1/2"	1.1/2"	9	8.1/4"	13.1/4"
10"	3.1/2"	3.1/2"	1.1/2"	9	8.1/4"	13.1/4"
12"	3.1/2"	3.1/2"	1.1/2"	9	8.1/4"	13.1/4"



**RECORD DRAWING**  
 This record drawing has been prepared in part, based upon information furnished by others. While this information is believed to be correct, SAFCO PRODUCTS, INC. does not assume any responsibility for its accuracy and thus is not responsible for any errors or omissions in this record drawing or for any errors or omissions in the construction of the project. The user of this record drawing is advised to obtain independent verification of its accuracy before applying it for any purpose.

**PROVOST & PRITCHARD**  
 PROFESSIONAL ENGINEER  
 LICENSE NO. 0000000000  
 DATE: 09-20-00  
 C.E. LICENSE NO. C-054062  
 DATE REB. 08/13/00  
 DATE SHEET: 08-02-01  
 DATE SHEET: 08-02-01

**WATER FILTRATION PLANT**  
 for  
**CITY OF LINDSAY**  
**TULARE COUNTY**  
**DETAILS**

DESIGN ENGINEER: AL BEHAN  
 DATE: 09-20-00  
 C.E. LICENSE NO. C-054062  
 DATE REB. 08/13/00  
 DATE SHEET: 08-02-01  
 DATE SHEET: 08-02-01

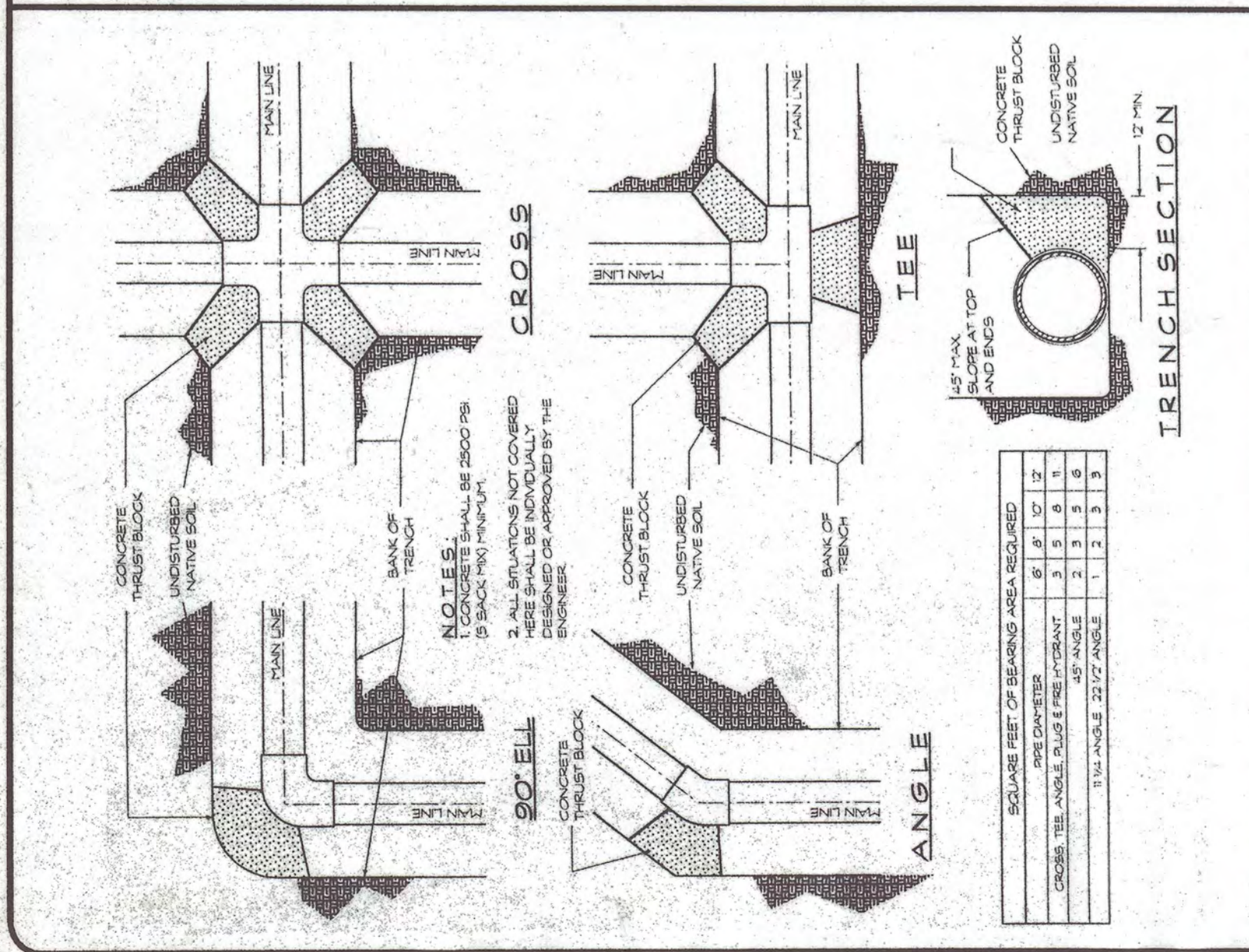
SCALE: AS SHOWN  
 DRAWN BY: DCH  
 REVISIONS:

ANCHOR VALVE SIZE 150 P.S.I.  
 5/8" 2" 2'-0" 2'-0" 2'-0"  
 5/8" 2" 2'-0" 2'-0" 2'-0"  
 3/4" 1 1/2" 3'-0" 3'-0" 3'-0"  
 1 1/2" 1 1/2" 3'-0" 3'-0" 3'-0"  
 1 1/2" 1 1/2" 3'-0" 3'-0" 3'-0"  
 1 3/8" 1 3/8" 3'-0" 3'-0" 3'-0"

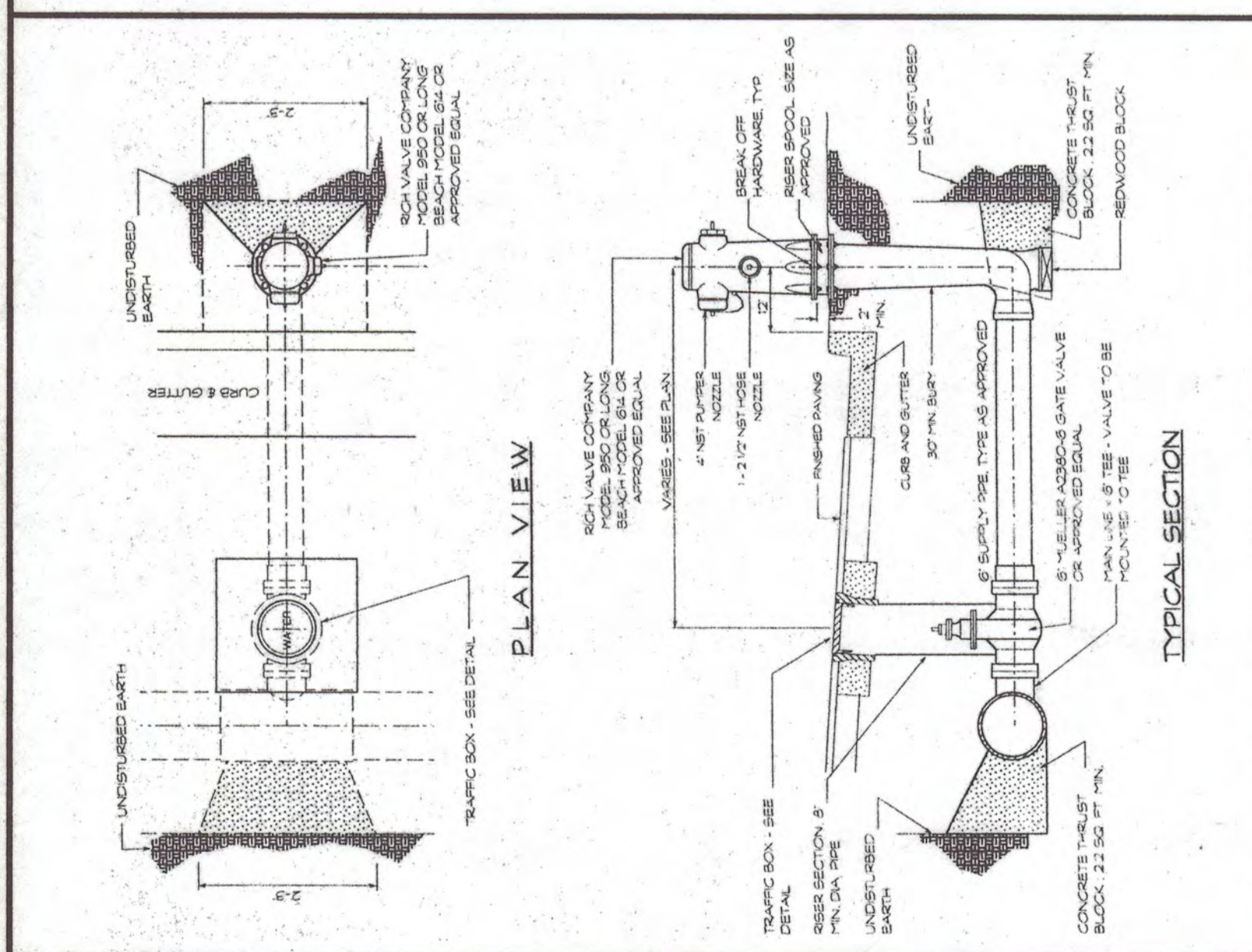
ANCHOR VALVE SIZE 150 P.S.I.  
 5/8" 2" 2'-0" 2'-0" 2'-0"  
 5/8" 2" 2'-0" 2'-0" 2'-0"  
 3/4" 1 1/2" 3'-0" 3'-0" 3'-0"  
 1 1/2" 1 1/2" 3'-0" 3'-0" 3'-0"  
 1 1/2" 1 1/2" 3'-0" 3'-0" 3'-0"  
 1 3/8" 1 3/8" 3'-0" 3'-0" 3'-0"



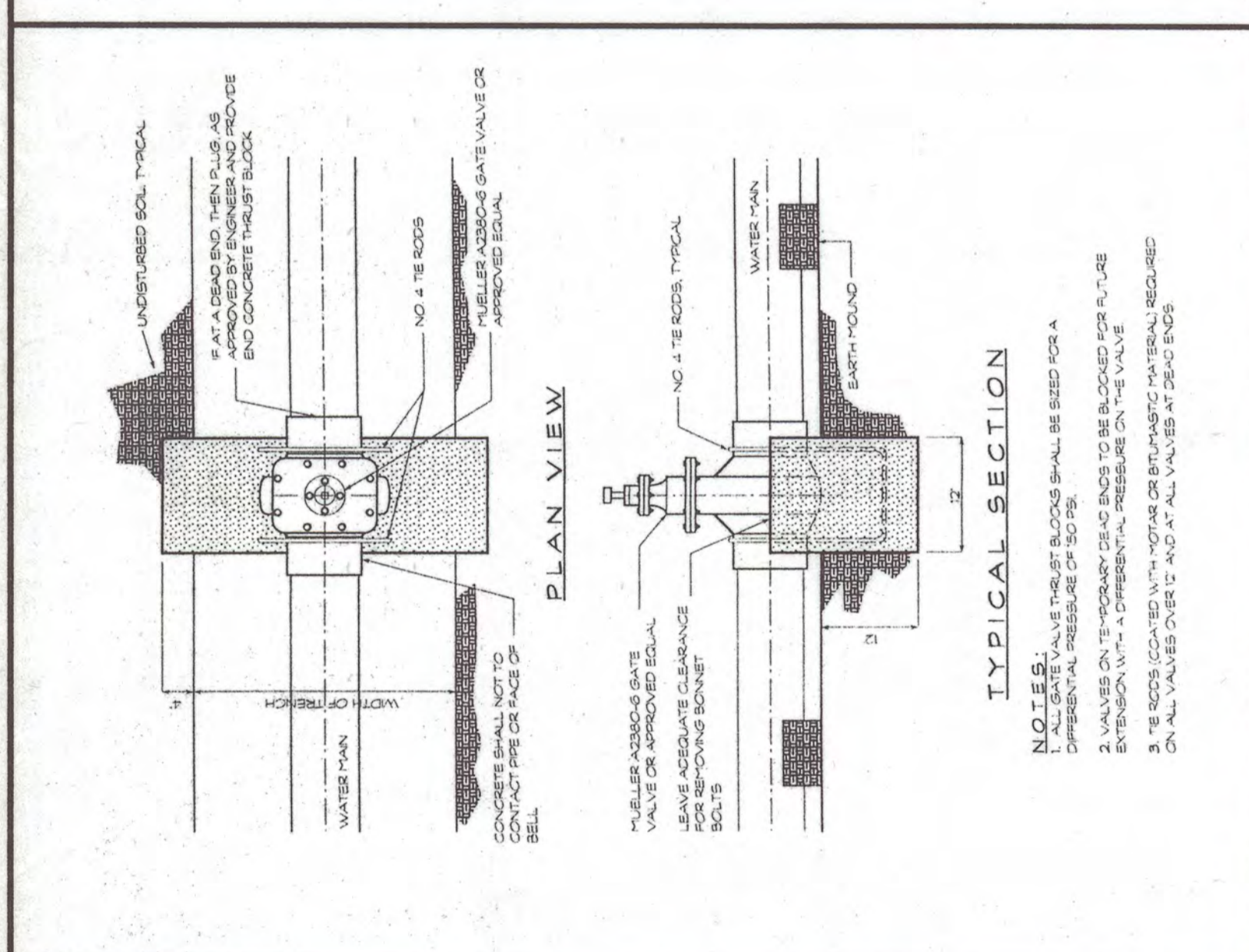




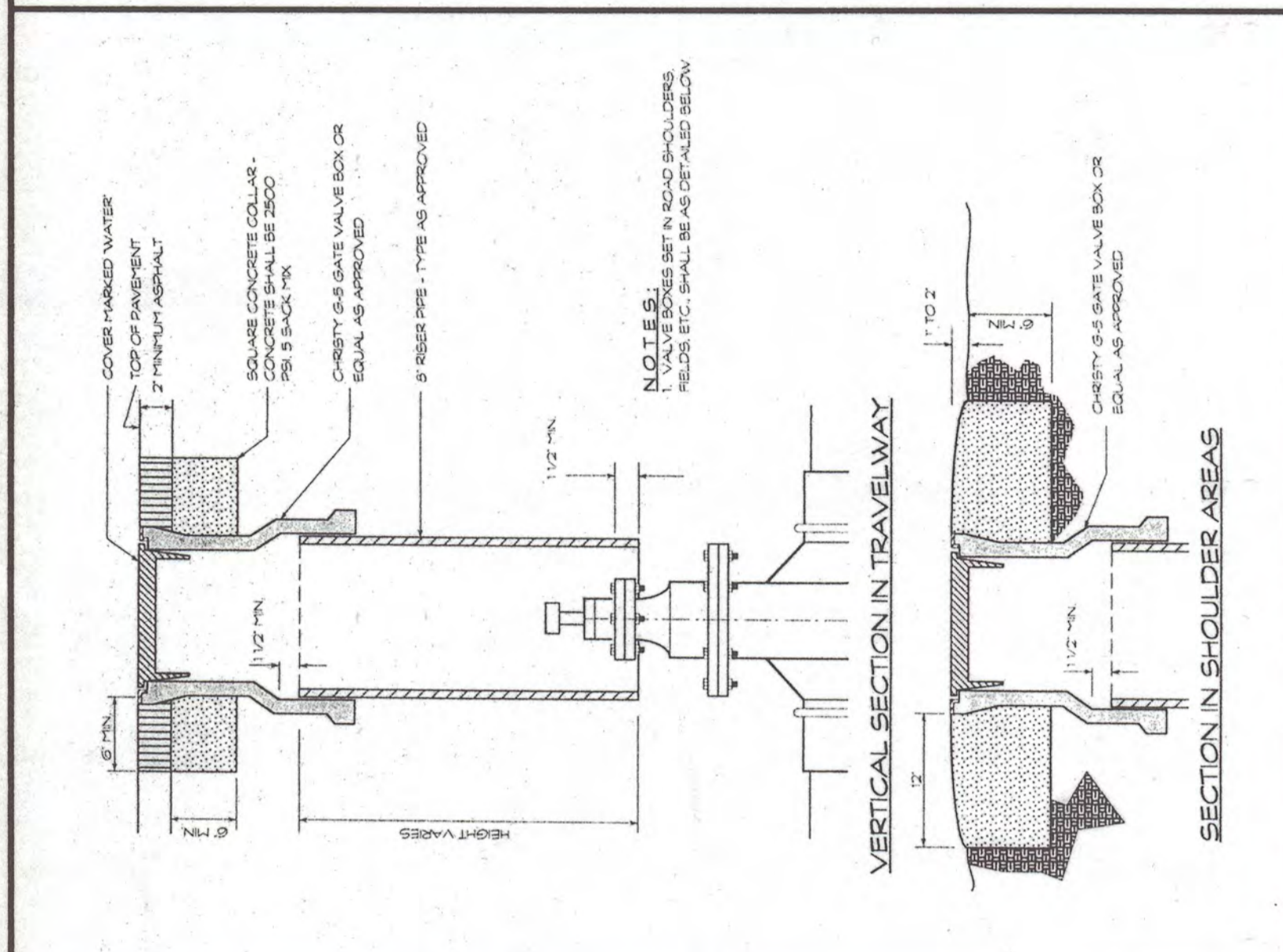
CITY OF LINDSAY Concrete Thrust Block Detail WA-1



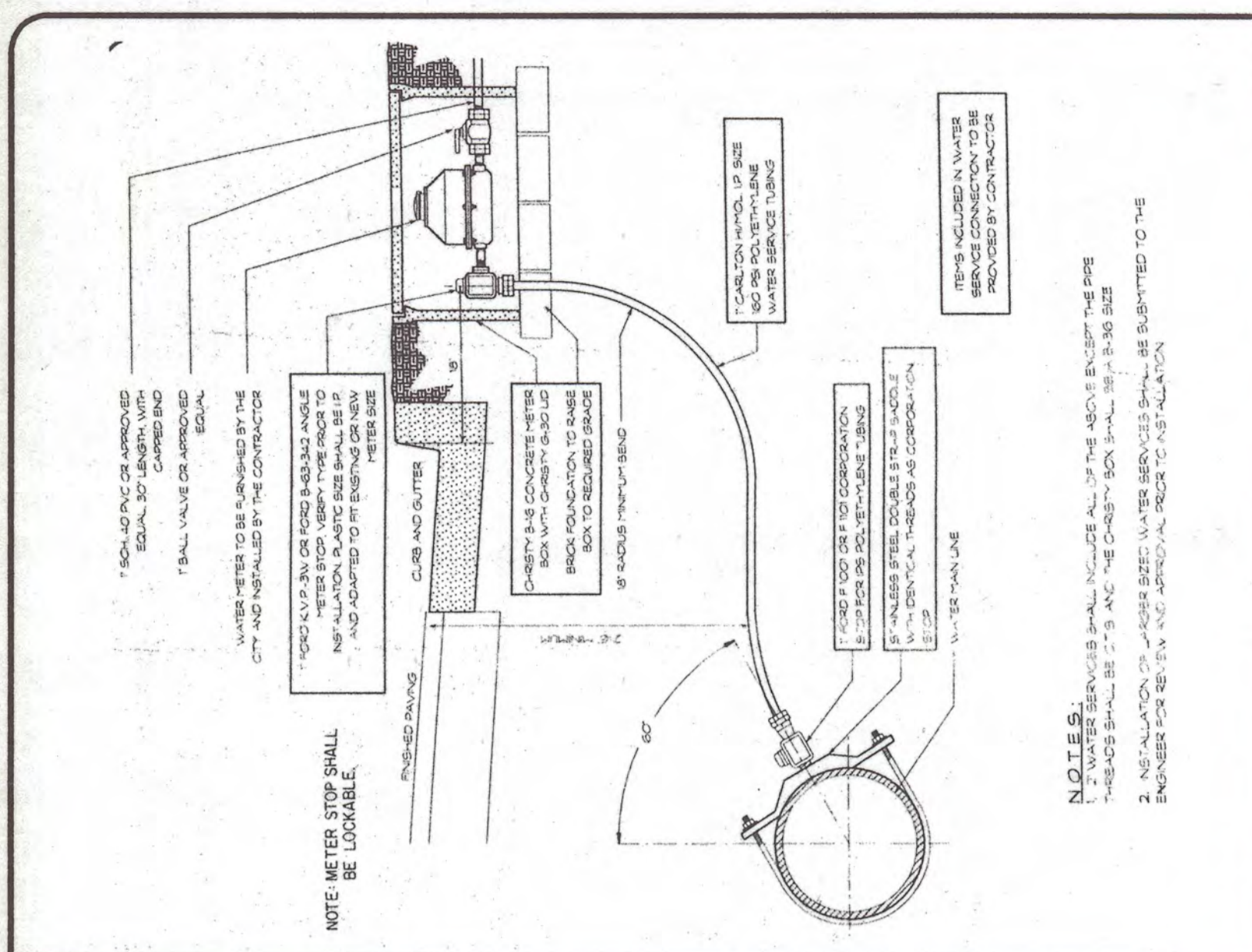
CITY OF LINDSAY Fire Hydrant Assembly WA-2



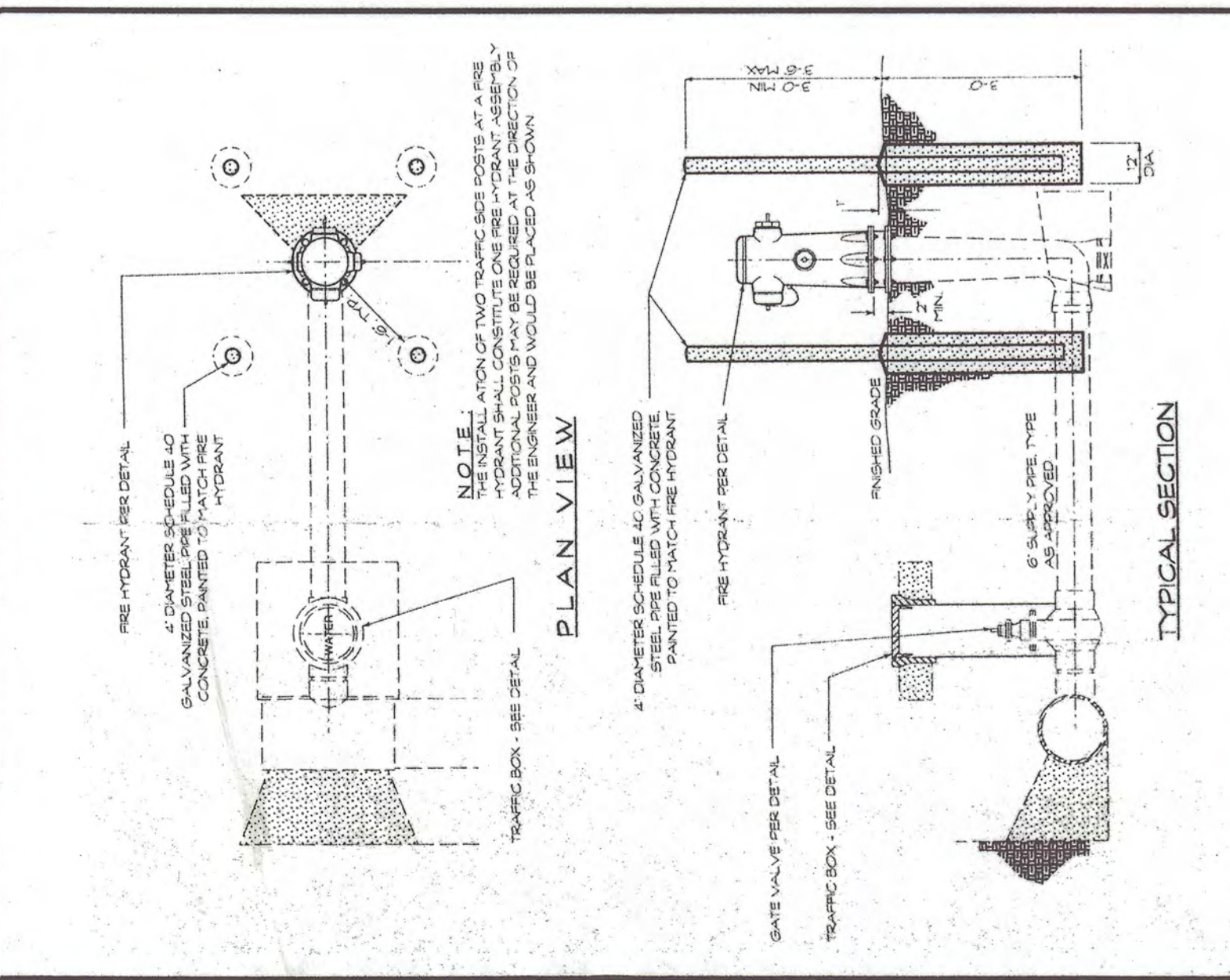
CITY OF LINDSAY Gate Valve WA-3



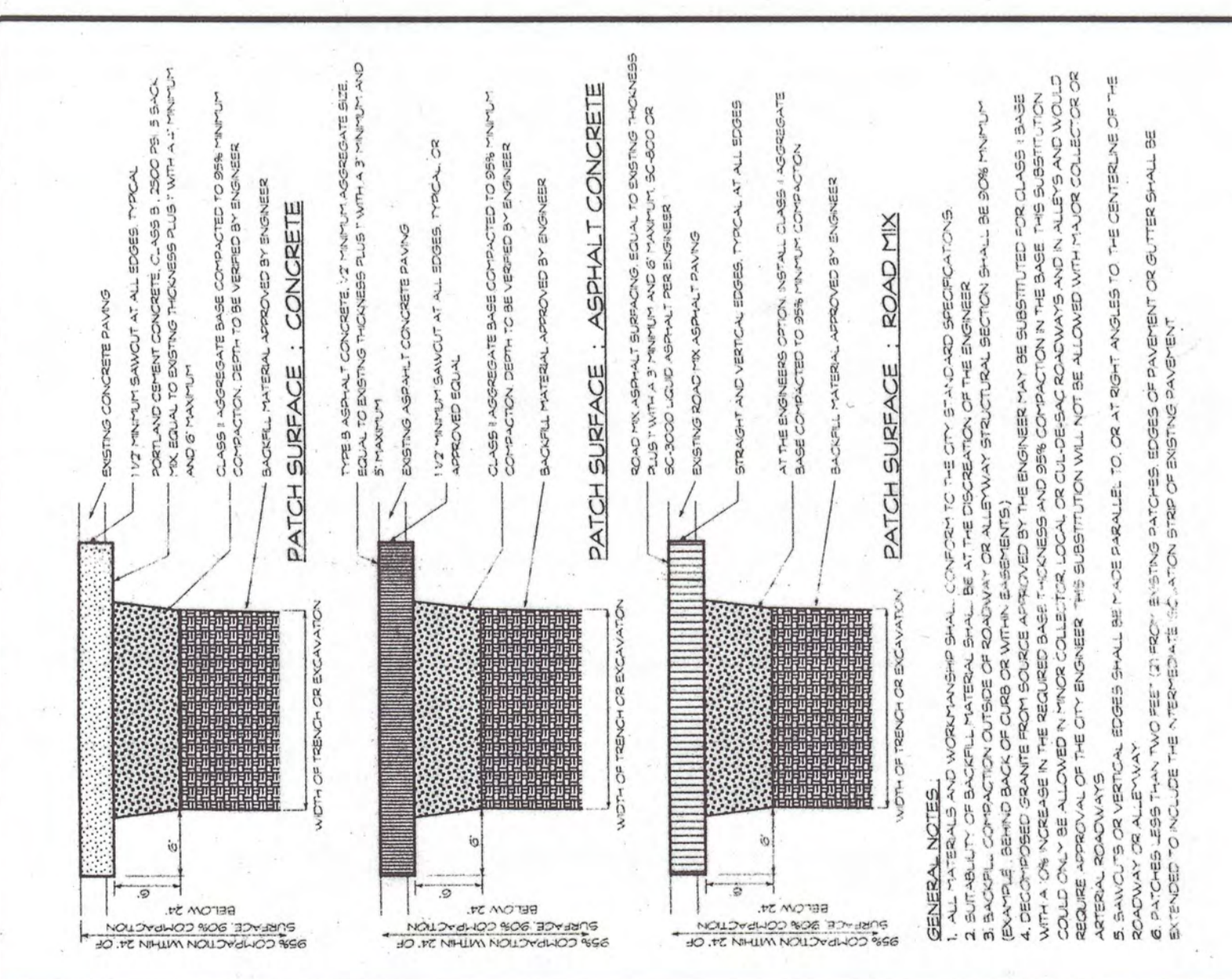
CITY OF LINDSAY Valve Access Box WA-4



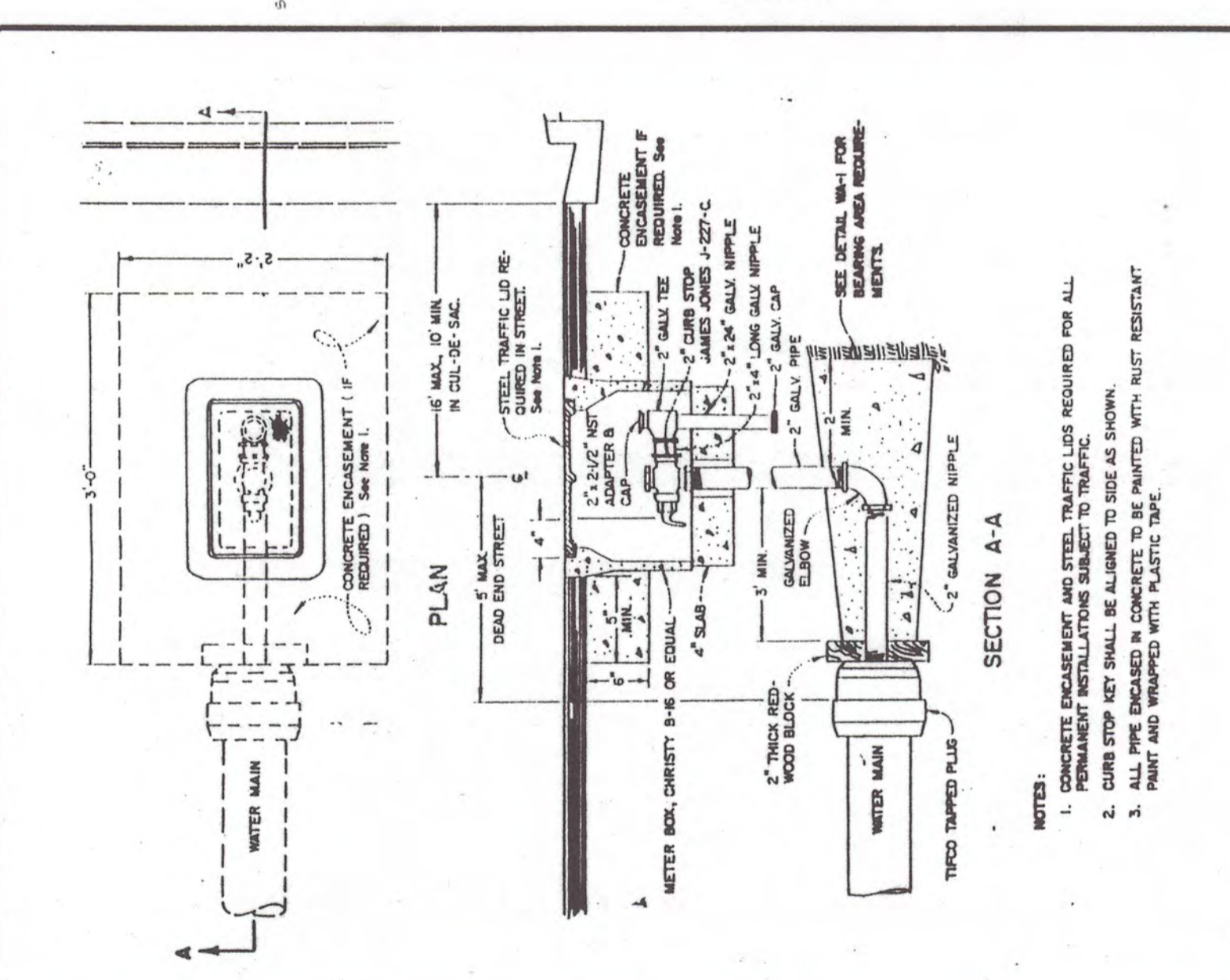
CITY OF LINDSAY 1' Water Service WA-5



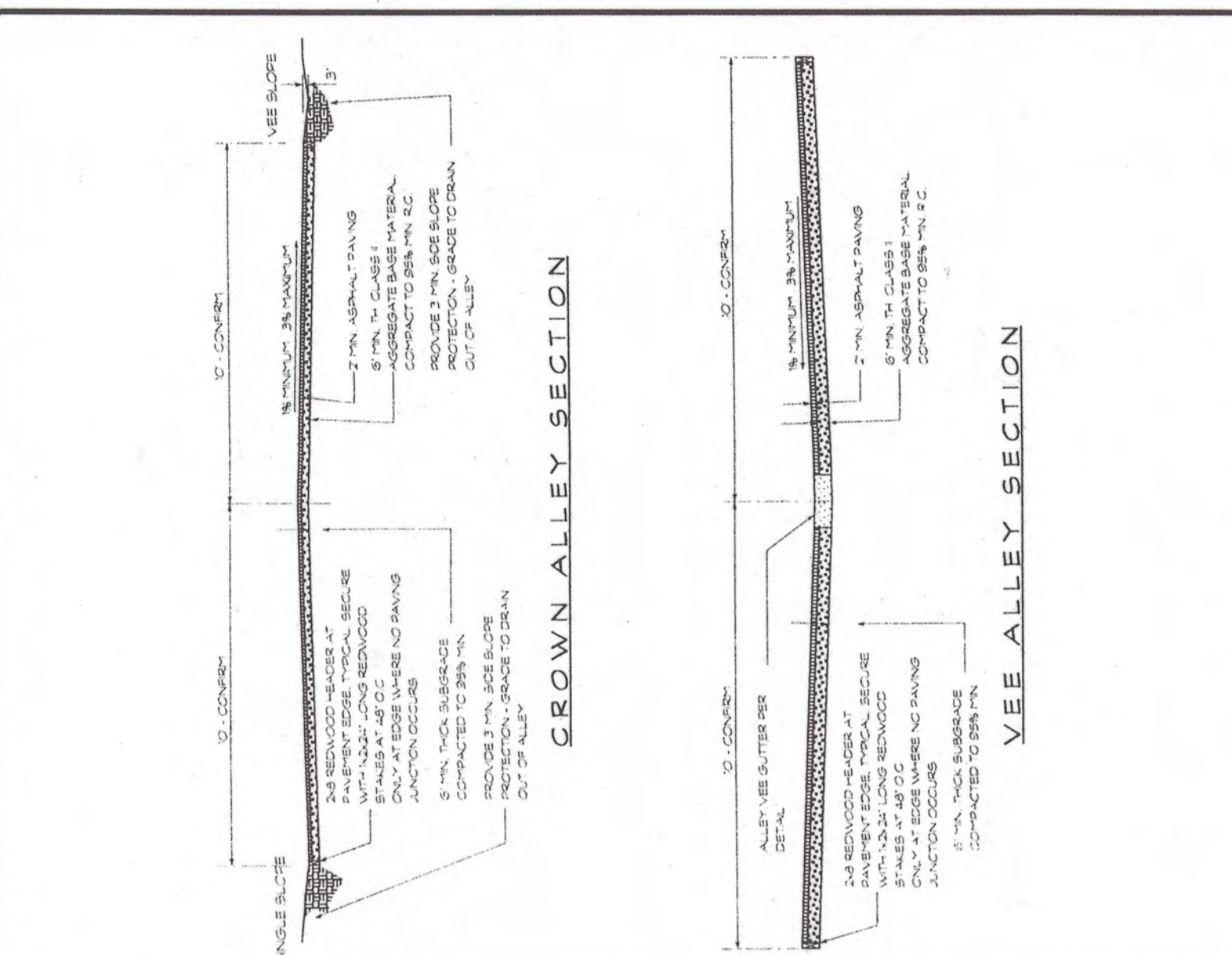
CITY OF LINDSAY Fire Hydrant Protection Assembly WA-8



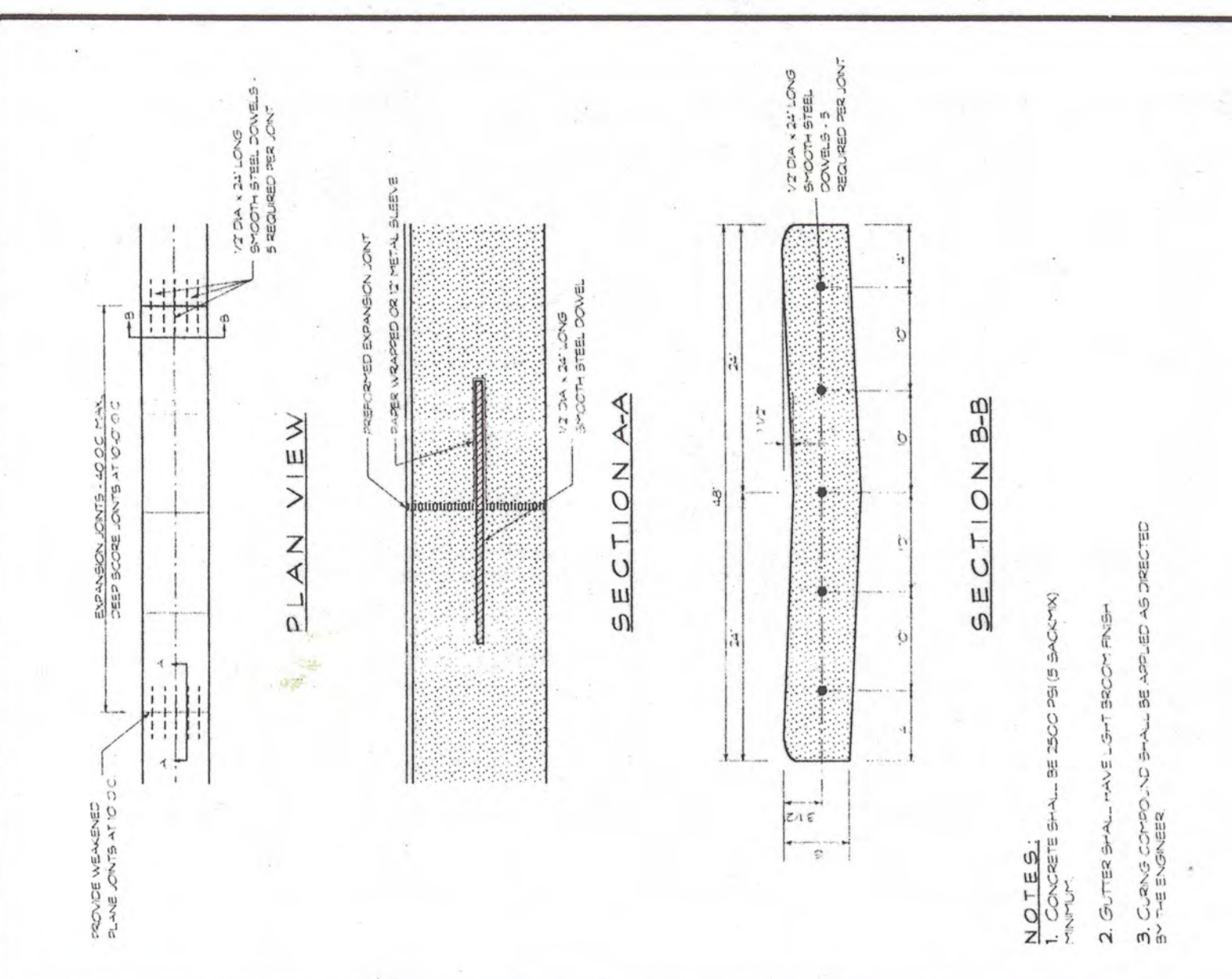
CITY OF LINDSAY Pavement Patches ST-20



CITY OF LINDSAY Blow Off WA-6



CITY OF LINDSAY Alley Sections WA-4



CITY OF LINDSAY 48' Concrete Cross Cutter WA-5

**RECORD DRAWING**  
 This record drawing has been prepared, in part, based upon information furnished by others. While this information is believed to be reliable, the DESIGN PROFESSIONAL cannot ensure its accuracy and thus is not responsible for any errors or omissions which may have been incorporated into it as a result. Those relying on this record document are advised to obtain independent verification of its accuracy before applying it for any purpose.

**WATER LINE REPLACEMENT**  
 IMPROVEMENT PROJECT-1999  
 CITY OF LINDSAY WATER FACILITIES  
 IMPROVEMENT PLAN FOR  
 Construction Details

DATE: SEPT. 2000  
 JOB NO.: 99119J01.DWG  
 DRAWN BY: J. J. JENSEN  
 SCALE: NOT TO SCALE  
 SHEET NO.: WA-8

Prepared By: **Quad Knopf**  
 5500 KING AVENUE  
 SUITE 410  
 BAKERSFIELD, CA 93309  
 TEL: (661) 835-2000  
 FAX: (661) 835-8311  
 CHK BY: C.E. & T.S.

APPROVED BY: \_\_\_\_\_  
 SEE ORIGINAL FOR SIGNATURE AND SEAL

DATE	BY	DESCRIPTION

REVISIONS